

Wireless Bridge BR-330AC-LP Setup Guide

Thank you for purchasing the Wireless Bridge BR-330AC-LP. BR-330AC-LP is the wireless bridge which can add a wireless feature to non-wireless devices (10BASE-T/100BASE-TX network devices). With 2.4GHz / 5GHz band support, non-wireless devices can easily be connected to a wireless network. Enterprise security feature will ensure safe and secure use of wireless communication at an office, factory, etc. where a higher security is required.

This Setup Guide explains how to setup and use BR-330AC-LP in a wireless network.



WA107180XC

(De) Die deutsche Version der Konfigurationsanleitung können Sie von unserer Website herunterladen.

(Fr) Il est possible de télécharger la version française de ce guide d'installation depuis notre page d'accueil.

(It) La versione italiana della guida all'installazione è scaricabile dalla nostra homepage.

(Es) Puede descargar la versión en español de la guía de configuración desde nuestra página principal.

(Pt) A versão em português do guia de instalação pode ser baixada de nossa página inicial.

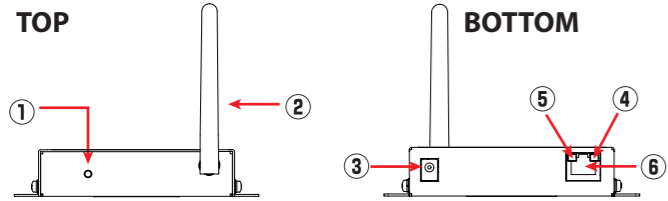
URL : <https://www.silextechnology.com/>

Package Contents

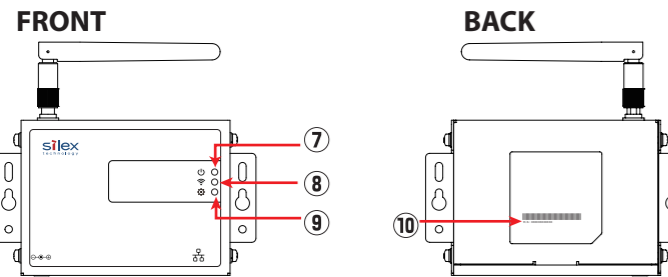
Following items are bundled with BR-330AC-LP.

- Wireless Bridge BR-330AC-LP
- AC adapter
- UK plug (for EU/UK model)
- Rubber foot (4pcs)
- Setup Guide (this document)
- Declaration of Conformity (for EU/UK model)
- Warranty Guide and GPL Inquiry Card

Parts and Functions



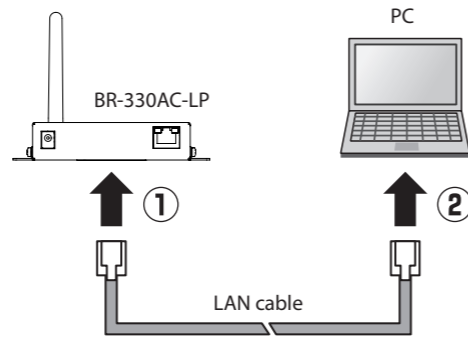
1	Push switch	Starts BR-330AC-LP in Configuration Mode: Press and hold the push switch for 5 sec while BR-330AC-LP is active. Configures BR-330AC-LP using Smart Wireless Setup: Press and hold the push switch for 10 sec while BR-330AC-LP is active. Resets BR-330AC-LP to factory default settings: Press and hold the push switch while turning on BR-330AC-LP. Release the switch when the WLAN LED turns off and STATUS LED turns on.
2	Wireless LAN antenna	This antenna is used for a wireless communication.
3	Power connector	Connect the AC adapter.
4	Link LED (Orange)	ON (Orange) Linked in wired LAN (100BASE-TX). ON (Green) Linked in wired LAN (10BASE-T). BLINK (Orange) Receiving packets in wired LAN (100BASE-TX). BLINK (Green) Receiving packets in wired LAN (10BASE-T).
5	Link LED (Green)	OFF (Orange/Green) Wired LAN is not connected.
6	LAN port	Connect the LAN cable.



7	POWER LED (Orange)	ON : Powered on OFF : Powered off
8	WLAN LED (Yellow)	ON : Running in Infrastructure mode. OFF : Wireless LAN is OFF. * Blinks together with STATUS LED when running in Configuration Mode .
9	STATUS LED (Green)	ON : Wireless router is connected. OFF : Wireless router is not connected. BLINK : Transferring data. * Blinks together with WLAN LED when running in Configuration Mode .
10	MAC Address	MAC Address of BR-330AC-LP

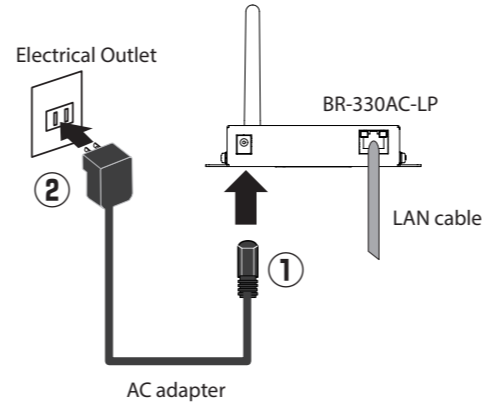
Step1 Start BR-330AC-LP in Configuration Mode for Password Configuration

1 Connect BR-330AC-LP to the PC using a LAN cable.



* If wireless LAN is enabled on your PC, please disable it.

2 Connect the AC adapter to BR-330AC-LP, and the AC adapter's plug to an electrical outlet.



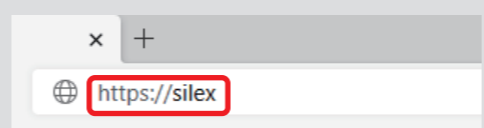
4 The Web browser is started and the password configuration page of BR-330AC-LP is displayed.

If the **Connect to a network** screen appears, click **Connect**. If a warning screen appears, click **Advanced** and then click **Continue to xxxxxx (unsafe)**. Enter the password to set for BR-330AC-LP and click **Submit**. The password registration will perform and BR-330AC-LP will be restarted. When all LEDs turn off and then the POWER LED turns orange, the restart is finished.



* Recommended Web browsers: Microsoft Edge / Mozilla Firefox
* The login password configuration page is displayed only when BR-330AC-LP is configured for the first time.

* If the Web page is not displayed, enter "https://silex" in the address bar of the Web browser and press the **Enter** key.

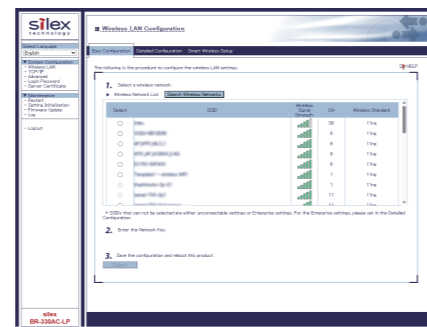


* If the Web page is still not displayed after entering "https://silex", identify the IP address of the PC connected to BR-330AC-LP, enter it to the address bar after adding 1 to its last digit and press **Enter** key.

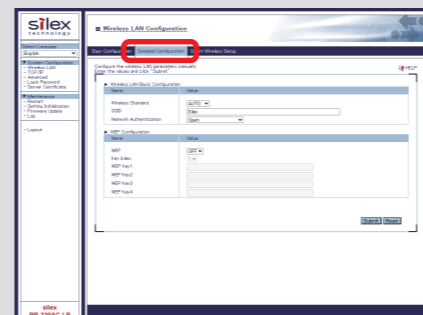
(Example) When the PC's IP address is "192.168.0.1", enter below.



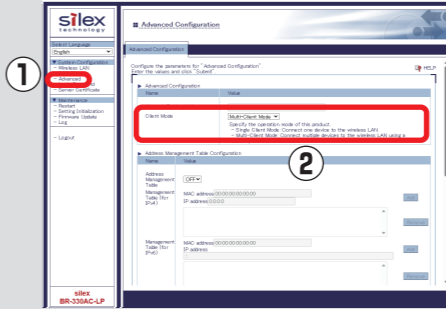
2 Select the destination network from **Wireless Network List** and enter the WEP Key or Shared Key for **Network Key**. Click **Submit** when finished.



* If the destination network is not displayed in the **Wireless Network List**, click **Detailed Configuration** at the top of the page. In the page displayed, enter the wireless settings of the network that you wish to connect BR-330AC-LP to, and click the **Submit**. Refer to the HELP for details on each setting.

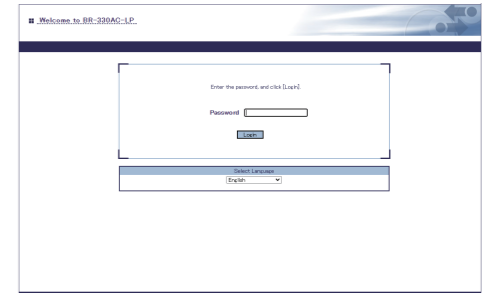


* To connect multiple network devices using an Ethernet HUB, click **Advanced** and select **Multi-Client Mode** for **Client Mode**.



Selecting a Wireless Network to Connect

1 Start BR-330AC-LP in Configuration Mode according to 3 and 4 of the Step1. Enter the login password you have configured and click **Login**.

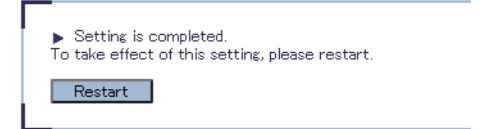


Step2 Wireless Network Connection

When the password configuration is finished, connect BR-330AC-LP to the wireless network. There are two connection methods below.

- 1) Selecting a wireless network to connect
- 2) Using Smart Wireless Setup

3 When the confirmation message is displayed, click **Restart** to restart BR-330AC-LP. The configuration has now been completed.



4 To give a wireless feature to the same PC (the one you have been using for configuration), please restart the PC. To give a wireless feature to the other device, turn off BR-330AC-LP, and remove it from the PC. Refer to Step3 to connect BR-330AC-LP to the network device using a LAN cable.

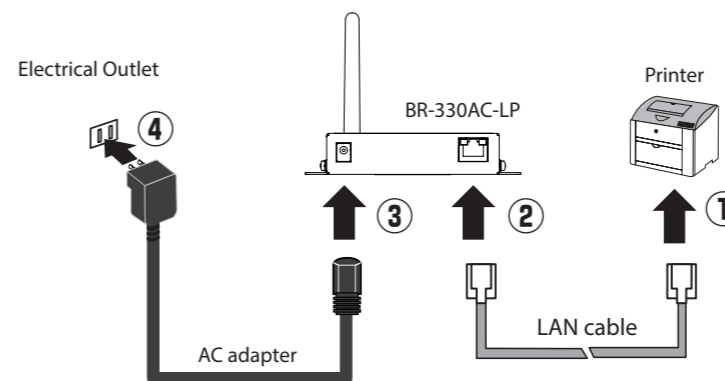
Using Smart Wireless Setup

BR-330AC-LP allows you to configure its wireless settings easily using a push switch if your wireless router supports WPS (Wi-Fi Protected Setup). How to configure wireless settings using the push switch is explained.

NOTE

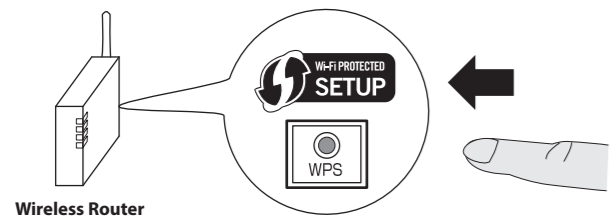
- Before you begin, the password configuration needs to be finished on BR-330AC-LP.
- For wireless configuration using WPS, your wireless router must support WPS. Make sure that your wireless router supports WPS and is turned on in your environment.
- During this configuration, please temporarily move BR-330AC-LP closer to your wireless router to make it easier for both devices to communicate.
- WPS may need to be enabled manually on your wireless router. For details, refer to the operation manual that came with your wireless router.
- If a security feature such as MAC Address filtering is enabled on your wireless router, disable it temporarily so that BR-330AC-LP can communicate with your wireless router.
- If you plan to connect two or more network devices to BR-330AC-LP using an Ethernet Hub, please go back to **Selecting a Wireless Network to Connect**. The **Client Mode** can be configured only when BR-330AC-LP is running in **Configuration Mode**.

1 Connect the network device and BR-330AC-LP using a LAN cable. Connect the AC adapter to BR-330AC-LP and the AC adapter's plug to an electrical outlet.



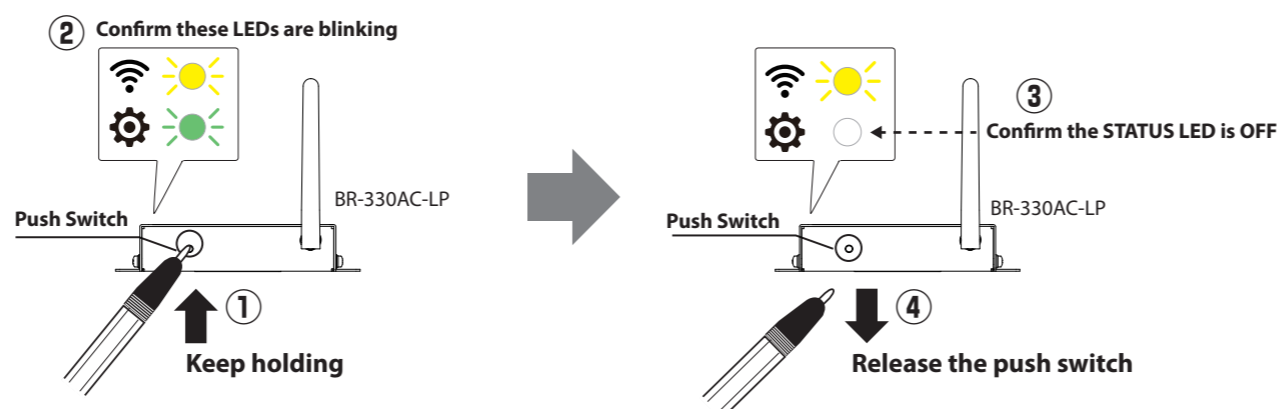
- * Some network devices require additional network settings. In such cases, refer to the manual that came with the network device.
- * When turning on BR-330AC-LP and network devices, be sure to turn on BR-330AC-LP first. Do not press the push switch then.
- * Confirm the WLAN LED turns on, and then go on to 3.

- Press the WPS button on your wireless router. Confirm that your wireless router is waiting for wireless connection.

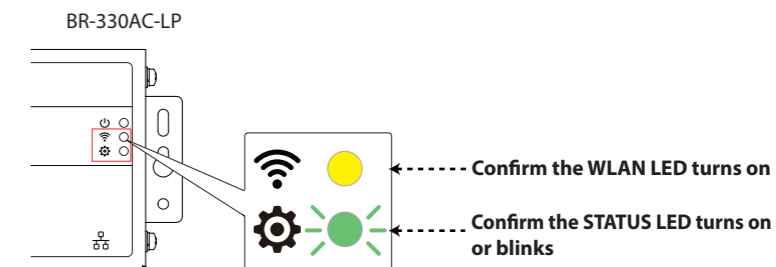


-The name, position and shape of the WPS button will differ depending on your wireless router. For details, refer to the operation manual that came with your wireless router.
-Please use only one wireless router. If two or more routers are waiting for wireless connections, BR-330AC-LP will not be able to connect properly.

- Press and hold the push switch at the top of BR-330AC-LP. The WLAN LED and STATUS LED will start to blink together. Keep holding it for 5 seconds. When the WLAN LED continues to blink while the STATUS LED turns off, release the push switch.



- BR-330AC-LP will start to communicate with your wireless router. When the wireless configuration is successfully completed, the WLAN LED turns on and the STATUS LED turns on or blinks.



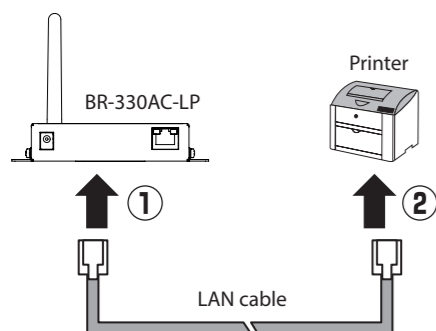
- It may take a while to complete the wireless configuration depending on your environment (up to 2 min).

*When wireless configuration has failed, the WLAN LED will flash rapidly. Read the notes above and start from 3 again.

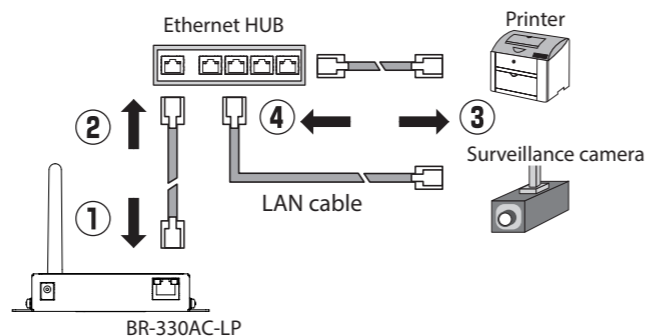
Step3 Connect a Network Device to Use Wirelessly

- Turn off the network device that you wish to use wirelessly and connect it to BR-330AC-LP using the LAN cable.

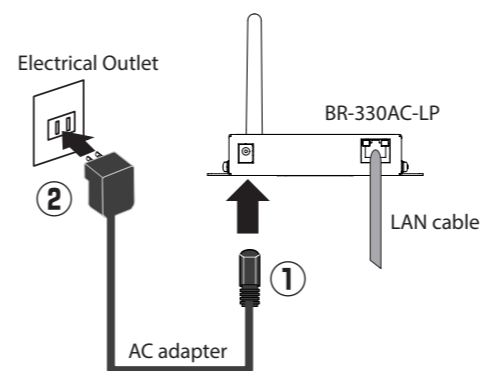
Sample connection in Single Client Mode



Sample connection in Multi-Client Mode



- Connect the AC adapter to BR-330AC-LP and the AC adapter's plug to the electrical outlet.



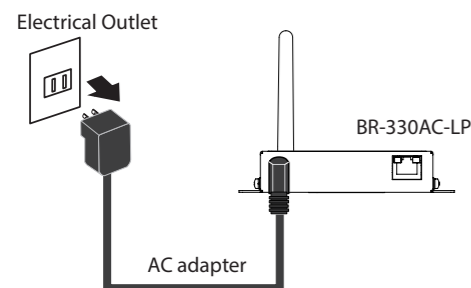
- Turn on the network device connected to BR-330AC-LP.

* Some network devices require additional network settings. In such cases, refer to the manual that came with the network device.
* When turning on BR-330AC-LP and network devices, be sure to turn on BR-330AC-LP first. Do not press the push switch then.

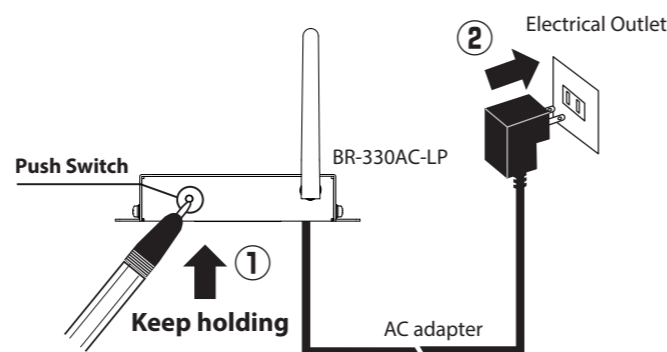
Factory Default Configuration

How to reset BR-330AC-LP to the factory default settings is explained.

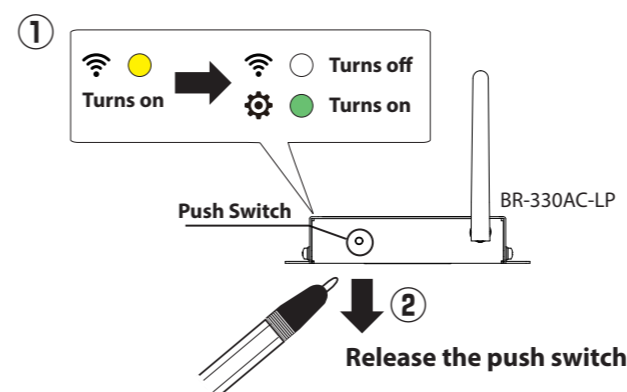
- Disconnect the AC plug of BR-330AC-LP from the electrical outlet.



- While reconnecting the AC plug to the outlet, press and hold the push switch at the top of BR-330AC-LP. Keep holding it.



- When the WLAN LED turns off and STATUS LED turns on, release the push switch. The factory default configuration begins. When the POWER LED and WLAN LED turn on after BR-330AC-LP is restarted, the factory default configuration is completed.



How to Download User's Manual

The User's Manual can be downloaded from our website.

- Access the website below:
URL: <https://www.silextechnology.com/>
- Go to the **Support** page and download the User's Manual.

Product Name	BR-330AC-LP
User's Manual	BR-330AC-LP User's Manual

What's AMC Manager®?

AMC Manager® is an integrated device management software that can monitor and configure the Silix products remotely over an IP network. If AMC Manager® is used, the operating status of BR-330AC-LP units can be checked in a list view. For AMC Manager®, there are a free version and non-free version. If the non-free version of AMC Manager® is purchased, the plug-in utility "BR Kitting Utility" can be used to configure multiple BR-330AC-LP units at once.

- Download and use the latest version of AMC Manager®.
- To use AMC Manager (non-free version), a license key needs to be purchased.
- Please contact Silix Technology to purchase a license key.

AMC Manager® can be downloaded from the Silix Technology's website.

How to Download AMC Manager®

AMC Manager® can be downloaded from the Silix Technology's website. Access the URL below to download it.

<https://www.silextechnology.com/>

- When the website is displayed, click **Support** from the top menu.
- Click **Software Download**.
- In the **Software Download** page, click **AMC Manager®**.
- Download AMC Manager®.

Trademarks

- AMC Manager® is a registered trademark of Silix Technology, Inc.
- Wi-Fi Protected Setup and related marks and logos are trademarks or registered trademarks of Wi-Fi Alliance.
- Microsoft Edge is trademarks or registered trademarks of Microsoft Corporation in the United States and/or other countries.
- Firefox and Mozilla are trademarks or registered trademarks of Mozilla Foundation in the United States and/or other countries.
- Other company names and product names contained in this document are trademarks or registered trademarks of their respective companies.

Customer Support Center (USA/EU)

If you have any questions, please contact us at the following.

Customer Support Center information

E-mail: USA support@silexamerica.com

EU support@silexeurope.com

URL: <https://www.silextechnology.com/>

Silix Technology America, Inc. / Silix Technology Europe, GmbH