

Wireless Bridge BR-330AC-LP

User's Manual



Index

| | |
|-----------------------------------------------------------------------|-----------|
| 1. Introduction | 1 |
| 1-1. Introduction | 2 |
| Disclaimers..... | 2 |
| Trademarks | 2 |
| 1-2. Safety Instructions | 3 |
| 1-3. Product Information and Customer Services | 6 |
| Product Information..... | 6 |
| Customer Support Center | 6 |
| 2. About BR-330AC-LP | 7 |
| 2-1. Features..... | 8 |
| 2-2. Parts and Functions | 10 |
| 2-3. Hardware Specification | 13 |
| 2-4. Software Specification..... | 16 |
| 2-5. Use of Radio Waves..... | 17 |
| Notes on Usage..... | 17 |
| 2-6. Notes on Security | 19 |
| 2-7. Safe Handling of Antenna | 20 |
| 3. Before You Begin..... | 21 |
| 3-1. Operating Mode | 21 |
| Single Client Mode..... | 22 |
| Multi-Client Mode | 23 |
| 3-2. Configuration Method..... | 24 |
| Easy Configuration Using Configuration Mode | 25 |
| Wireless Configuration Using Smart Wireless Setup (Push Switch) | 26 |
| Wireless Configuration Using Smart Wireless Setup (PIN Code) | 27 |
| 3-3. Necessary Wireless Setting Information..... | 28 |
| 4. How to Configure BR-330AC-LP..... | 29 |

| | |
|-------------------------------------------------------------------|----|
| 4-1. Starting Configuration Mode for Password Settings..... | 30 |
| Starting BR-330AC-LP in Configuration Mode..... | 30 |
| Password Configuration..... | 32 |
| 4-2. Easy Configuration Using Configuration Mode..... | 33 |
| 4-3. Connecting Non-wireless Devices | 36 |
| 4-4. Configuration Using Smart Wireless Setup (Push Switch) | 38 |
| Configuration..... | 39 |
| 4-5. Configuration Using Smart Wireless Setup(Pin Code) | 43 |
| Checking a PIN Code..... | 44 |
| Configuration..... | 46 |

5. List of Functions..... 49

| | |
|------------------------------------------------------------------------|----|
| 5-1. How to Access Web Configuration Interface..... | 50 |
| Displaying the Web Configuration Interface..... | 51 |
| 5-2. IEEE802.1X Authentication | 53 |
| Network Configuration | 53 |
| IEEE802.1X Authentication | 55 |
| Certificate Standard..... | 57 |
| MAC Address Filtering | 58 |
| Before Using the IEEE802.1X Authentication | 58 |
| IEEE802.1X Authentication Settings..... | 59 |
| 5-3. Saving Log..... | 61 |
| Types of Log | 61 |
| Retrieving/Deleting System Log..... | 65 |
| Retrieving/Deleting Event Log | 67 |
| Time Synchronization of Log | 69 |
| 5-4. Address Management Table..... | 70 |
| About Address Management Table Feature | 70 |
| Registering Address to Management Table..... | 71 |
| Deleting Address from Management Table..... | 73 |
| 5-5. Communicating with a Wireless Router with Proxy ARP Function..... | 75 |
| IP Intercept Function..... | 75 |

| | |
|-------------------------------------------------|----|
| Accessing Web Page of Non-wireless Device | 77 |
| 5-6. Maintenance | 79 |
| Restarting..... | 79 |
| Factory Default Configuration..... | 81 |
| Firmware Update..... | 83 |

A. Appendix 85

| | |
|---------------------------------|-----|
| A-1. List of All Settings | 85 |
| A-2. Troubleshooting | 105 |
| A-3. What's AMC Manager®? | 108 |
| A-4. Security Information | 109 |
| Access Control Mechanism..... | 109 |
| Key Information | 110 |
| Known Vulnerabilities..... | 111 |

Blank page

1. Introduction

Thank you for purchasing the Wireless Bridge BR-330AC-LP (hereinafter the "BR-330AC-LP"). This manual provides information on how to configure and use BR-330AC-LP. Please read the **1-2. Safety Instructions** carefully before using BR-330AC-LP.

1-1. Introduction

This manual provides information on how to configure and use BR-330AC-LP. Please read the Safety Instructions carefully before using BR-330AC-LP.



: This symbol indicates important information that needs to be observed when operating BR-330AC-LP. Make sure to read this information for safe and proper use.



: This symbol indicates information that is useful when using BR-330AC-LP. If you experience difficulties operating BR-330AC-LP, please refer to this information first.

Disclaimers

- The unauthorized transfer or copying of the content of this manual, in whole or in part, without prior written consent is expressly prohibited by law.
- The content of this manual is subject to change without notice.
- The screen display may vary depending on the BR-330AC-LP firmware version, or the operating system, Web browser and its version of the PC. Some instructions may not be applicable.
- Although every effort was made to prepare this manual with the utmost accuracy, Silex Technology will not be held liable for any damages as a result of errors, setting examples, or other content.

Trademarks



- AMC Manager® is a registered trademark of Silex Technology, Inc.
- Microsoft, Windows and Microsoft Edge are trademarks or registered trademarks of Microsoft Corporation in the United States and/or other countries.
- Wi-Fi, Wi-Fi Protected Setup, WPA (Wi-Fi Protected Access), WPA2 and related marks and logos are trademarks or registered trademarks of Wi-Fi Alliance.
- Mozilla and Firefox are trademarks or registered trademarks of Mozilla Foundation in the United States and/or other countries.
- Other company names and product names contained in this manual are trademarks or registered trademarks of their respective companies.

1-2. Safety Instructions







This page provides the safety instructions for safe use of BR-330AC-LP.

To ensure safe and proper use, please read the following information carefully before using BR-330AC-LP. The safety instructions include important information on safe handling of BR-330AC-LP and on general safety issues.







< Meaning of the warnings >

| | | |
|------------------------------------------------------------------------------------|----------------|-------------------------------------------------------------------------------------------------------------------------------------------------|
|  | Warning | "Warning" indicates the existence of a hazard that could result in death or serious injury if the safety instruction is not observed. |
|  | Caution | "Caution" indicates the existence of a hazard that could result in serious injury or material damage if the safety instruction is not observed. |

< Meaning of the symbols >

| | |
|-------------------------------------------------------------------------------------|----------------------------------------------------------------------------------------------------------------------------------------------------------------------------------------------------------|
|  | This symbol indicates the warning and caution. (Example:  "Danger of the electric shock") |
|  | This symbol indicates the prohibited actions. (Example:  "Disassembly is prohibited") |
|  | This symbol indicates the actions users are required to observe. (Example:  "Remove the AC plug from an outlet") |

 **Warning**

| | |
|------------------------------------------------------------------------------------------------------------------------------------------------------------------------|----------------------------------------------------------------------------------------------------------------------------------------------------------------------------------------------------------------------------------------------------------------------------------------------------------------------------------------------------------------------------------------------------------------------------------------------------------------------------------------------------------------------------------------------------------------------------------------------------------------------------------------------------------------|
|   | <p>* Do not allow physical impact. When damaged, turn off the connected devices, unplug the AC plug of BR-330AC-LP from a power outlet and contact your point of purchase. Failure to take this action could cause fire or an electrical shock.</p> <p>* In the following cases, turn off the connected devices and unplug the AC plug of BR-330AC-LP from a power outlet and contact your point of purchase. Failure to take this action could cause fire or an electrical shock.</p> <p>* When BR-330AC-LP emits a strange smell, smoke or sound or becomes too hot to touch.</p> <p>* When foreign objects (metal, liquid, etc.) gets into BR-330AC-LP.</p> |
|  | <p>* Keep the cords and cables away from children. It may cause an electrical shock or serious injury.</p> |
|  | <p>* If a ground wire is supplied with your device to use with, connect it to the ground terminal in order to prevent an electrical shock. Do not connect the ground wire to gas pipe, water pipe, lighting rod or telephone ground wire. It may cause malfunction.</p> |
|  | <p>* Do not disassemble or modify BR-330AC-LP. It may cause fire, electrical shock or malfunction.</p> <p>* Do not disassemble or modify the AC adaptor that came with BR-330AC-LP. It may cause fire, electrical shock or malfunction.</p> |
|  | <p>* Do not use BR-330AC-LP with the equipment that directly affects the human life (medical equipment such as the life support equipment and operating room equipment) and with the system that has a significant impact on the human safety and the maintenance of public functions (nuclear equipment, aerospace equipment, etc.).</p> |



Caution

| | |
|--|--------------------------------------------------------------------------------------------------------------------------------------------------------------------------------------------------------------------------------------------------------------------------------------------------------------------------------------------------------------------------------------------------------------------------------------------------------------------------------------------------------------------------------------------------------------------------------------------------------------------------------------------------------------------|
| | <p>* Do not pull on the cord to disconnect the plug from the power supply. The cord may be broken, which could result in fire or an electrical shock.</p> |
| | <p>* When removing BR-330AC-LP, disconnect the AC plugs of both BR-330AC-LP and the other devices you are using with.</p> <p>* Verify all codes or cables are plugged correctly before using BR-330AC-LP.</p> <p>* When BR-330AC-LP will not be used for a long time, unplug the power cables of BR-330AC-LP and the other devices you are using with.</p> |
| | <p>* Use the AC adaptor supplied with BR-330AC-LP. Other AC adaptors may cause malfunction.</p> <p>* Do not use or store BR-330AC-LP under the following conditions. It may cause malfunction.</p> <ul style="list-style-type: none"> - Locations subject to vibration or shock - Shaky, uneven or tilted surfaces - Locations exposed to direct sunlight - Humid or dusty places - Wet places (kitchen, bathroom, etc.) - Near a heater or stove - Locations subject to extreme changes in temperature - Near strong electromagnetic sources (magnet, radio, wireless device, etc.) |

1-3. Product Information and Customer Services

Product Information

The services below are available from the Silex Technology website. For details, please visit the Silex Technology website.

| URL | |
|--------------|---------------------------------------------------------------------------------|
| USA / Europe | https://www.silextechnology.com/ |

- Latest firmware download
- Latest software download
- Latest manual download
- Support information (FAQ)

Customer Support Center

Customer Support is available for any problems that you may encounter.

If you cannot find the relevant problem in this manual or on our website, or if the corrective procedure does not resolve the problem, please contact Silex Technology Customer Support.

| Contact Information | |
|---------------------|------------------------------------------------------------------------|
| USA | support@silexamerica.com |
| Europe | support@silexeurope.com |



Note

- Visit the Silex Technology website (<https://www.silextechnology.com/>) for the latest FAQ and product information.

2. About BR-330AC-LP

BR-330AC-LP is the wireless bridge that can add a wireless feature to non-wireless devices (10BASE-T/100BASE-TX network devices) and that supports wireless LAN communication of 2.4GHz/5GHz band. Enterprise security feature will ensure safe and secure use of wireless communication at an office, factory, etc. where a higher security is required.

2-1. Features

BR-330AC-LP has the following features:

Giving unlimited locations for your non-wireless devices

As you do not have to care wiring conditions in order to establish your environment, choices of location greatly expand in any kinds of scenes such as office, factory, school, commercial facility, etc. where the layout change is frequently required or effective layout of equipment needs to be carefully considered for a work line. Also, cost reduction is largely expected as you will no longer have to pay for wiring construction.

IEEE 802.11a/b/g/n/ac

BR-330AC-LP supports communications at both 2.4GHz/5GHz bands. Using 5GHz band will help to avoid radio interference with 2.4GHz band which is most commonly used in the market.

Advanced security

The following security features are supported:

- Open (WEP)
- WPA2-Personal (AES)
- WPA/WPA2-Personal (AUTO)
- WPA2-Enterprise (AES)
- WPA/WPA2-Enterprise (AUTO)



- For WPA/WPA2-Enterprise and WPA2-Enterprise, IEEE802.1X authentication method can be used.

Note

Two types of operating mode

[Single Client Mode]

- Bridges a single non-wireless device connected to a LAN port of the BR-330AC-LP over wireless network.
- For the MAC address to use for wireless LAN connection, the MAC address of the device connected to a LAN port of the BR-330AC-LP will be used (MAC address transparent feature).
- Stops bridging when someone changed the device being connected to a wired LAN port of the BR-330AC-LP to the other one (security feature).

[Multi-Client Mode]

- Up to 16 non-wireless devices can be bridged over wireless network if a HUB is connected to a LAN port of the BR-330AC-LP.

- For a MAC address to use for wireless LAN connection, the MAC address of the BR-330AC-LP will be used.

Easy access to the Web configuration interface

Without changing the setting of the PC you use for setup, the Web configuration interface of BR-330AC-LP can easily be accessed.

Wireless Configuration Using a Push Switch

BR-330AC-LP support the wireless configuration using Smart Wireless Setup. If your wireless router supports WPS (Wi-Fi Protected Setup), you can configure the wireless settings easily using the push switch.



- To use the functions above, your wireless router needs to support the same functions.

Note

Supports "AMC Manager® "(non-free program / free program)

BR-330AC-LP supports the total management software, "AMC Manager®" .

The AMC Manager® provides the useful features as follows:

- Remote device control and monitoring
- Bulk configuration and firmware updates
- System time synchronization (version 3.2.0 or later)

If the non-free version of AMC Manager® is purchased, the plug-in utility "BR Kitting Utility" can be used to configure multiple BR-330AC-LP units at once.



TIP

- Download and use the latest version of AMC Manager®.



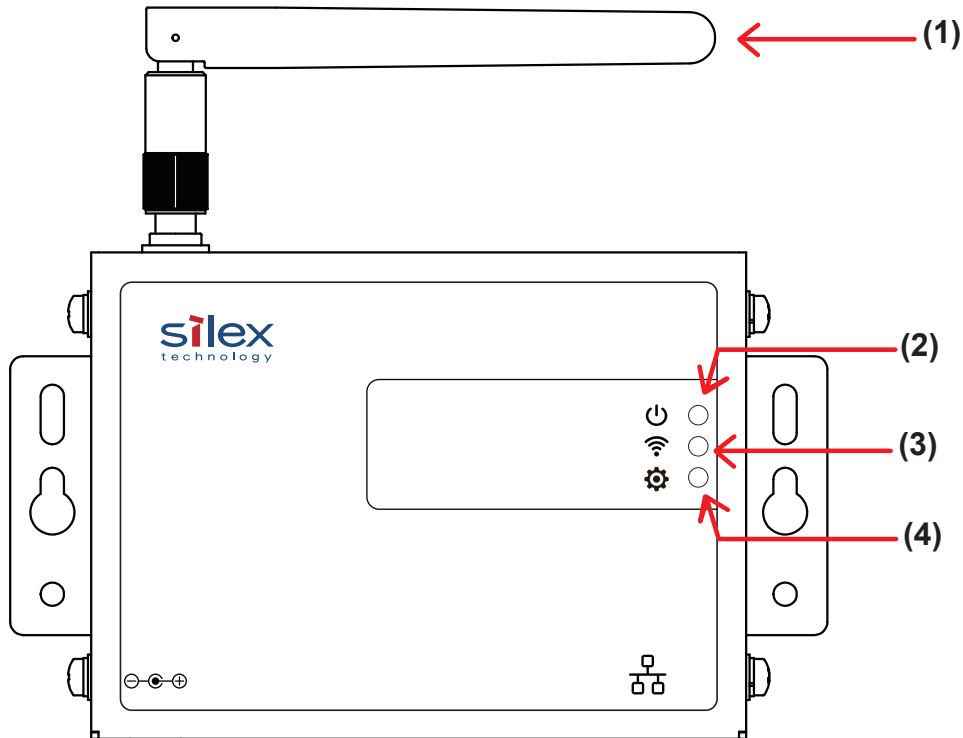
Note

- For details on the "AMC Manager®", please visit our homepage.
- To use the "AMC Manager®", an IP address needs to be configured to the BR-330AC-LP.
- BR-330AC-LP can be used in Infrastructure mode only. Ad hoc mode is not supported.

2-2. Parts and Functions

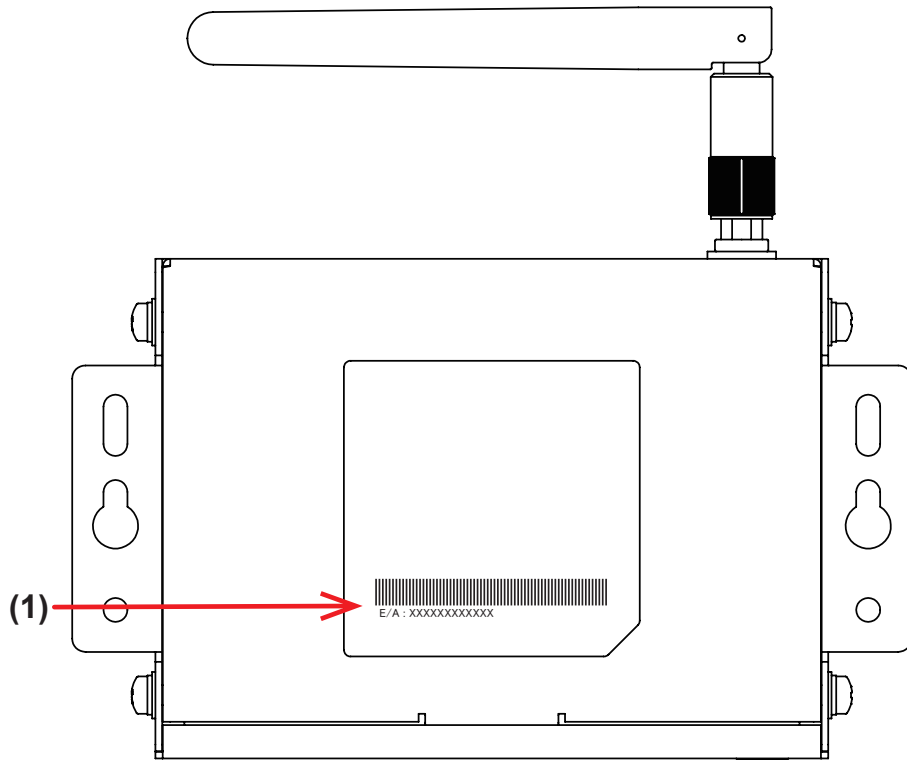
The parts name and functions are as follows:

Front



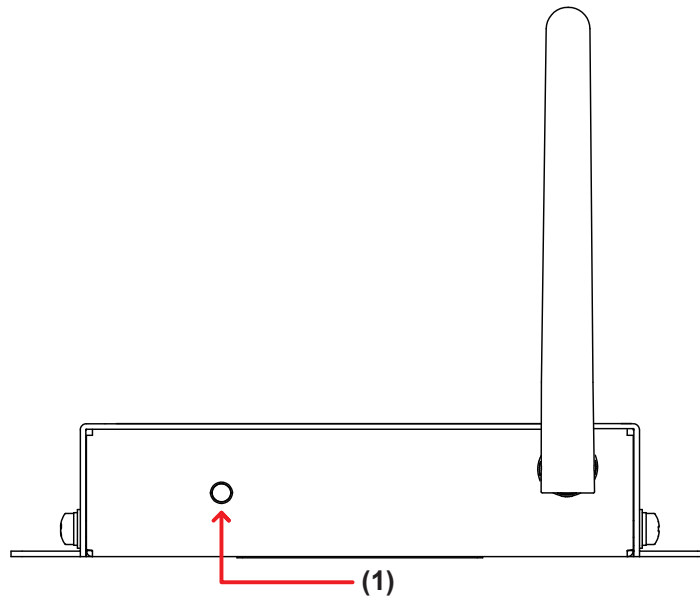
| | | | |
|-----|-----------------------|-----------------------------------------------------------------------|-----------------------------------|
| (1) | Wireless LAN antenna | This antenna is used for wireless communication. | |
| (2) | POWER LED (Orange) | ON | Powered on. |
| | | OFF | Powered off. |
| (3) | WLAN LED (Yellow) | ON | Running in Infrastructure mode. |
| | | OFF | Wireless LAN is OFF. |
| | | * Blinks together with STATUS LED when running in Configuration Mode. | |
| (4) | STATUS LED (Green) | ON | Wireless router is connected. |
| | | OFF | Wireless router is not connected. |
| | | BLINK | Transferring data. |
| | | * Blinks together with WLAN LED when running in Configuration Mode. | |

Back



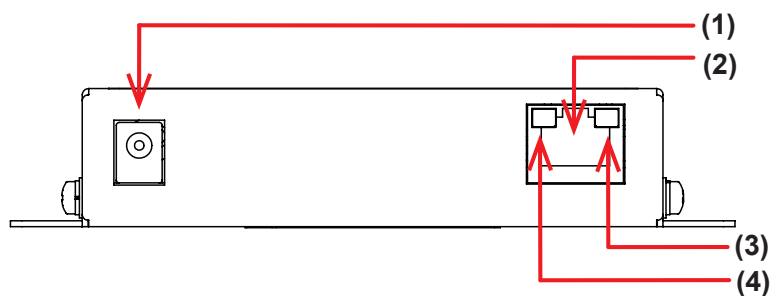
| | | |
|-----|-------------|----------------------------|
| (1) | MAC Address | MAC Address of BR-330AC-LP |
|-----|-------------|----------------------------|

Top



| | | | |
|-----|-------------|---------------------------------------------------|--------------------------------------------------------------------------------------------------------------------------------------|
| (1) | Push Switch | Start in Configuration Mode | Press and hold the push switch for 5 sec while BR-330AC-LP is active. |
| | | Wireless configuration using Smart Wireless Setup | Press and hold the push switch for 10 sec while BR-330AC-LP is active. |
| | | Factory default configuration | Press and hold the push switch while turning on BR-330AC-LP. Release the switch when the WLAN LED turns off and STATUS LED turns on. |

Bottom



| | | | |
|-----|-------------------|-------------------------|----------------------------------------------|
| (1) | Power connector | Connect the AC adaptor. | |
| (2) | LAN port | Connect the LAN cable. | |
| (3) | Link LED (Orange) | ON (Orange) | Linked in wired LAN (100BASE-TX). |
| (4) | Link LED (Green) | ON (Green) | |
| | | OFF (Orange) | Linked in wired LAN (10BASE-T). |
| | | ON (Green) | |
| | | BLINK (Orange) | Receiving packets in wired LAN (100BASE-TX). |
| | | BLINK (Green) | Receiving packets in wired LAN (10BASE-T). |
| | | OFF (Orange / Green) | Wired LAN is not connected. |

2-3. Hardware Specification

| | | |
|-----------------------------------|-------------------------------------------------------------------------------------------------------------------------------------------------|---------------------------------------------------|
| Operating environment | Temperature : 0 degrees to +50 degrees | |
| | Humidity : 20% to 80%RH (Non-condensing) | |
| Storage environment | Temperature : -20 degrees to +70 degrees | |
| | Humidity : 20% to 90%RH (Non-condensing) | |
| Wired network interface | 10BASE-T/100BASE-TX (Auto-sensing) :1 port Auto MDI/MDIX | |
| Wireless network interface | IEEE 802.11a/b/g/n/ac | |
| Channel | (US/CA) 2.4GHz: 1-11ch 5GHz: (W52) 36,40,44,48 (W53) 52,56,60,64 (W56) 100,104,108,112,116,132,136,140 (W58) 149,153,157,161,165 | |
| | (EU/UK) 2.4GHz: 1-13ch 5GHz: (W52) 36,40,44,48 (W53) 52,56,60,64 (W56) 100,104,108,112,116,120,124,128,132,136,140 | |
| Push Switch | 1 | |
| LED | Front | POWER (Orange) WLAN (Yellow) STATUS (Green) |
| | LAN Port | Link (Green/ Orange) |
| Compatible devices | Network devices with LAN port (RJ-45) | |
| Max number of connectable devices | When operating in Single Client Mode : 1 device | |
| | When operating in Multi-Client Mode : 16 devices | |
| EMC | VCCI Class-B FCC Part 15 Subpart B Class-B ICES-003 Issue 7 Class-B EN 301 489-1/-17, EN 55032 Class-B | |
| Radio regulation | MIC FCC part 15 Subpart C / Subpart E RSS-Gen/-247 EN 300 328, EN 301 893, EN 62368-1 (Module regulation) SRRC | |

Notice to US Customers



Contains FCC ID : N6C-SDMAC

FCC Rules Part 15 §15.19(a)(3)

This device complies with part 15 of the FCC Rules. Operation is subject to the following two conditions:

- (1) This device may not cause harmful interference, and
- (2) this device must accept any interference received, including interference that may cause undesired operation.

FCC Rules Part 15

FCC CAUTION

Changes or modifications not expressly approved by the party responsible for compliance could void the user's authority to operate the equipment.

FCC Rules Part 15 Subpart B §15.105(b)

Note: This equipment has been tested and found to comply with the limits for a Class B digital device, pursuant to part 15 of the FCC Rules. These limits are designed to provide reasonable protection against harmful interference in a residential installation. This equipment generates, uses and can radiate radio frequency energy and, if not installed and used in accordance with the instructions, may cause harmful interference to radio communications. However, there is no guarantee that interference will not occur in a particular installation. If this equipment does cause harmful interference to radio or television reception, which can be determined by turning the equipment off and on, the user is encouraged to try to correct the interference by one or more of the following measures:

- Reorient or relocate the receiving antenna.
- Increase the separation between the equipment and receiver.
- Connect the equipment into an outlet on a circuit different from that to which the receiver is connected.
- Consult the dealer or an experienced radio/TV technician for help.

FCC Rules Part 15 Subpart E §15.407(c)

Data transmission is always initiated by software, which is then passed down through the MAC, through the digital and analog baseband, and finally to the RF chip. Several special packets are initiated by the MAC. These are the only ways the digital baseband portion will turn on the RF transmitter, which it then turns off at the end of the packet. Therefore, the transmitter will be on only while one of the aforementioned packets is being transmitted.

In other words, this device automatically discontinues transmission in case of either absence of information to transmit or operational failure.

FCC Rules Part 15 Subpart E §15.407(g)

Frequency Tolerance: +/-20 ppm

FCC Rules Part 15 Subpart C §15.247(g) / Subpart E

This device and its antenna(s) must not be co-located or operation in conjunction with any other antenna or transmitter.

FCC Rules Part 15 Subpart C §15.247 and Subpart E

This equipment complies with FCC radiation exposure limits set forth for an uncontrolled environment and meets the FCC radio frequency (RF) Exposure Guidelines. This equipment should be installed and operated keeping the radiator at least 20cm or more away from person's body.

Notice to Canadian Customers

Contains IC : 4908A-SDMAC

CAN ICES-3 (B)/NMB-3 (B)

RSS-Gen Issue 5 §8.4

This device contains licence-exempt transmitter(s)/receiver(s) that comply with Innovation, Science and Economic Development Canada's licence-exempt RSS(s). Operation is subject to the following two conditions:

1. This device may not cause interference.
2. This device must accept any interference, including interference that may cause undesired operation of the device.

L'émetteur/récepteur exempt de licence contenu dans le présent appareil est conforme aux CNR d'Innovation, Sciences et Développement économique Canada applicables aux appareils radio exempts de licence. L'exploitation est autorisée aux deux conditions suivantes :

1. L'appareil ne doit pas produire de brouillage;
2. L'appareil doit accepter tout brouillage radioélectrique subi, même si le brouillage est susceptible d'en compromettre le fonctionnement.

RSS-247 Issue 2 §6.2.2.2

for indoor use only (5150-5350 MHz)

Pour usage intérieur seulement (5150-5350 MHz)

RSS-247 Issue 2 §6.4

Data transmission is always initiated by software, which is then passed down through the MAC, through the digital and analog baseband, and finally to the RF chip. Several special packets are initiated by the MAC. These are the only ways the digital baseband portion will turn on the RF transmitter, which it then turns off at the end of the packet. Therefore, the transmitter will be on only while one of the aforementioned packets is being transmitted. In other words, this device automatically discontinues transmission in case of either absence of information to transmit or operational failure.

La transmission des données est toujours initiée par le logiciel, puis les données sont transmises par l'intermédiaire du MAC, par la bande de base numérique et analogique et, enfin, à la puce RF. Plusieurs paquets spéciaux sont initiés par le MAC. Ce sont les seuls moyens pour qu'une partie de la bande de base numérique active l'émetteur RF, puis désactive celui-ci à la fin du paquet. En conséquence, l'émetteur reste uniquement activé lors de la transmission d'un des paquets susmentionnés. En d'autres termes, ce dispositif interrompt automatiquement toute transmission en cas d'absence d'information à transmettre ou de défaillance.

RSS-102 Issue 5 §2.6

This equipment complies with ISED radiation exposure limits set forth for an uncontrolled environment and meets RSS-102 of the ISED radio frequency (RF) Exposure rules. This equipment should be installed and operated keeping the radiator at least 20cm or more away from person's body.

Cet équipement est conforme aux limites d'exposition aux rayonnements énoncées pour un environnement non contrôlé et respecte les règles d'exposition aux fréquences radioélectriques (RF) CNR-102 de l'ISDE. Cet équipement doit être installé et utilisé en gardant une distance de 20 cm ou plus entre le radiateur et le corps humain.

RSS-Gen Issue 5 §6.8

This radio transmitter 4908A-SDMAC has been approved by Innovation, Science and Economic Development Canada to operate with the antenna types listed below, with the maximum permissible gain indicated. Antenna types not included in this list that have a gain greater than the maximum gain indicated for any type listed are strictly prohibited for use with this device.

| Antenna type | Gain | Impedance |
|----------------------------|--------------------------------|-----------|
| Pole antenna (TD17027A3S0) | 2.4GHz: 1.5dBi 5GHz: 2.1dBi | 50Ω |

Le présent émetteur radio 4908A-SDMAC a été approuvé par Innovation, Sciences et Développement économique Canada pour fonctionner avec les types d'antenne énumérés ci-dessous et ayant un gain admissible maximal. Les types d'antenne non inclus dans cette liste, et dont le gain est supérieur au gain maximal indiqué pour tout type figurant sur la liste, sont strictement interdits pour l'exploitation de l'émetteur.

| Type d'antenne | Gain | l'impédance |
|----------------------------|--------------------------------|-------------|
| Antenne pôle (TD17027A3S0) | 2.4GHz: 1.5dBi 5GHz: 2.1dBi | 50Ω |

Notice to European Customers



| | | | | | |
|----|----|----|----|----|----|
| | | | | | |
| AT | EE | IE | NL | ES | CH |
| BE | FI | IT | PL | SE | HR |
| BG | FR | LV | PT | / | MK |
| CY | DE | LT | RO | IS | TR |
| CZ | EL | LU | SK | LI | ME |
| DK | HU | MT | SI | NO | RS |

Notice to UK Customers



Restrictions or Requirements in the UK

2-4. Software Specification

Configuration Mode Operation

| | |
|-------------------|----------------------------------------------------------------------------------------------------------------------------------------------------------------------------------------------------------------------|
| Network layer | ARP, IP, ICMP, FLDP/BR |
| Transport layer | TCP, UDP |
| Application layer | DHCP Client (*1), DNS Client, NTP Client, HTTPS, SXSMP (TCP/UDP#59999/60000) (*2), DNS Server (simple reply function only), DHCP Server (simple server function only), NetBIOS over TCP/IP (Name Service only) |

Normal Operation

| | |
|-------------------|-------------------------------------------------------------|
| Network layer | ARP, IP, ICMP, FLDP/BR |
| Transport layer | TCP, UDP |
| Application layer | DHCP Client (*1), DNS Client, NTP Client, HTTPS, SXSMP (*2) |

(*1) BOOTP is not supported.

(*2) Silex Technology's proprietary protocol



- For Multi-Client mode, only ARP, IPv4 and IPv6 communication is bridged.

TIP

2-5. Use of Radio Waves

Notes on Usage

When using BR-330AC-LP near the medical devices

The radio wave interference may adversely affect the operation of medical devices such as pacemakers. When using BR-330AC-LP near the medical devices that require a high level of safety and reliability, check with the manufacturer or distributor of each medical device about the effects of radio waves.

When using BR-330AC-LP near the following devices

- Microwave oven, industrial/scientific equipment, etc.

The above devices use the same radio frequency band as the wireless LAN. Using BR-330AC-LP near the above devices may cause radio wave interference. As the result, communication may be lost, the speed may slow down, or the operation of the above devices may be adversely affected.

Before using BR-330AC-LP, make sure that no radio wave interference occurs. For example, if there is a microwave oven near BR-330AC-LP, check the proper communication beforehand while actually using the microwave oven.

Do not use BR-330AC-LP near a cellular phone, TV or Radio

A cellular phone, TV and radio use a different radio band than our products. Generally, if they are used near BR-330AC-LP, it will not cause any problems. However, when they approximate BR-330AC-LP, sound or image noise may occur.

If there is reinforced concrete/metal between wireless devices, they may not connect

BR-330AC-LP can connect through wood or glass, but may have troubles connecting through reinforced concrete/metal.

BR-330AC-LP complies with the certification of conformance to technical standards.

Please pay attention to the following points:

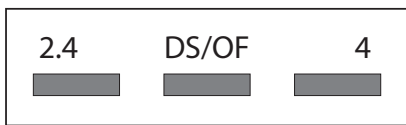
- Please do not disassemble or remodel the product. Such action is prohibited by law.
- Please do not remove the certificate label. Using the product without a label is prohibited.


Wireless devices using 2.4GHz band

The same frequency band of BR-330AC-LP is used for a microwave, industry, science, medical equipment and licensed in room or low power (non-licensed) radio stations.

- Before you use BR-330AC-LP, check that it does not interfere with other devices.
- If interference occurs, stop using BR-330AC-LP or change the wireless band. Please consider to create a wall between these devices to avoid interference. Contact us for possible solution.

*The meaning of the symbols in the bottom of the unit:



| | |
|------------------------------------------------------------------------------------|------------------------------------------------------------|
| 2.4 | : Wireless devices using 2.4GHz frequency band |
| DS/OF | : DS-SS or OFDM is used as modulation. |
| 4 | : The range of interference is equal to or lower than 40m. |
|  | : All bands can be used to avoid interference. |

Notes on using 5GHz band

- Use of 5.2GHz band (W52) and 5.3GHz band (W53) outdoors is prohibited by the radio regulations. Use only W56 channels then.

2-6. Notes on Security

Because a wireless LAN uses electromagnetic signals instead of a LAN cable to establish communication with network devices, it has the advantage of allowing devices to connect to the network without a limitation of installation locations due to wiring. However, a disadvantage of this is that within a certain range, the electromagnetic signals can pass through barriers such as walls, and if security countermeasures are not implemented in some way, problems such as the following may occur.

- Communication is intercepted by a third party
- Unauthorized access to the network
- Leakage of personal information (ID and Card information)
- Spoofing and the falsification of intercepted data
- System crashes and data corruption

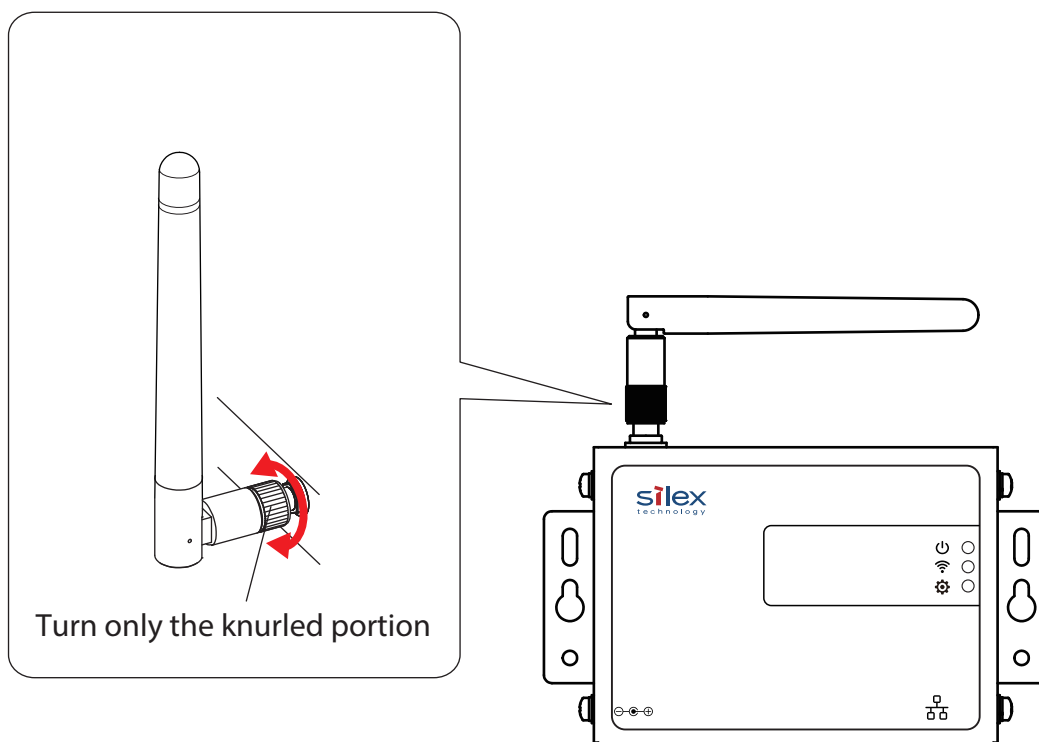
Nowadays, wireless LAN cards or wireless routers are equipped with security measures that address such security problems, so that you can enable security-related settings for wireless LAN products in order to reduce the likelihood of problems occurring.

We recommend that you make yourself fully acquainted with the possible implications of what might happen if you use a wireless product without enabling security features, and that you configure security-related settings and use wireless products at your own responsibility.

2-7. Safe Handling of Antenna

Please refrain from attaching or removing the antenna or changing the antenna angle frequently. Failure to do so will put a stress on the inside of the antenna and may cause malfunction.

When attaching or removing the antenna, turn only the knurled portion while holding the antenna portion with your hands. When adjusting the angle of the antenna, do not tilt it more than 180 degrees.



3. Before You Begin

This chapter explains each operating mode and available configuration methods for BR-330AC-LP as well as the wireless setting information you need to check out before the configuration.

Before starting the initial configuration, a password needs to be set for BR-330AC-LP. For details, refer to **4-1. Starting Configuration Mode for Password Settings**.

3-1. Operating Mode

BR-330AC-LP has 2 operating modes below.

Please use the one appropriate for your environment.

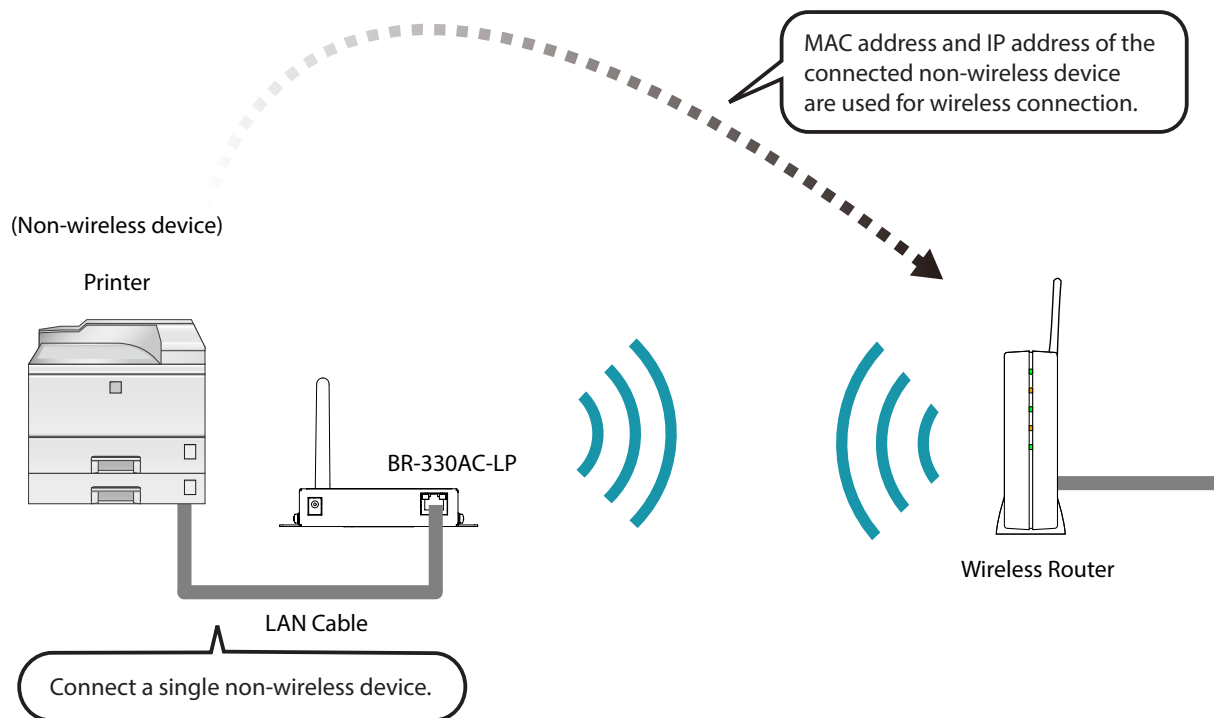
- Single Client Mode
- Multi-Client Mode

**Note**

- The operating mode can be configured on the Web configuration interface which can be accessed when the BR-330AC-LP operates in Configuration Mode.
- By defaults, the operating mode is set to **Multi-Client Mode**.

Single Client Mode

Use this mode when you connect a single non-wireless device to the BR-330AC-LP. As the MAC address and IP address of the connected device are used for wireless LAN connection, you can use the device as if it is directly connected to a wireless LAN.



TIP

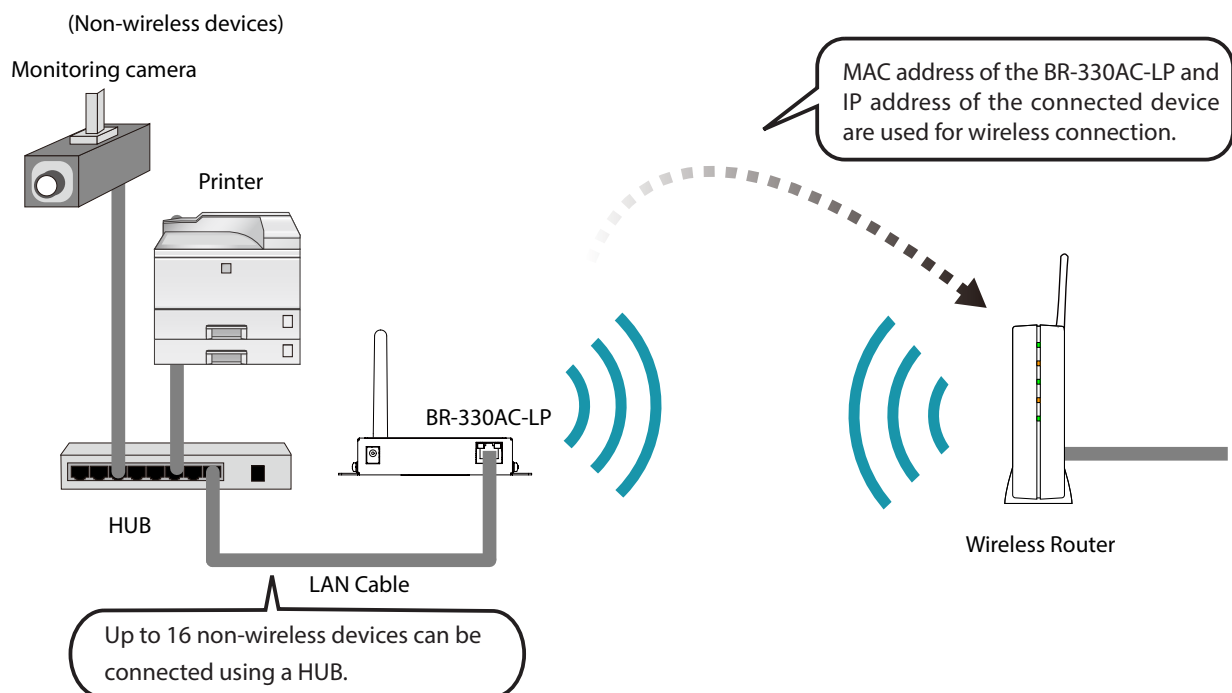
- If a wireless router with a Proxy ARP function exists in the network environment, BR-330AC-LP may not be able to communicate with non-wireless devices. In such a case, enabling the IP Intercept function can solve the problem. For details, refer to **5-5. Communicating with a Wireless Router with Proxy ARP Function**.
- Only one device can be connected to a LAN port.
- The following actions are treated as an error. If one of these occurs, the bridge function will abort.
 - Connecting multiple devices to a LAN port using a HUB
 - Changing the device connected to a LAN port to the other device while BR-330AC-LP is running.
- If the connection is lost on a LAN port while communication is in progress, wireless bridging will be disabled until it is reconnected.
- The devices with multiple MAC addresses cannot be used.
- Due to restrictions of the protocols, "**View full map**" of "**Network and Sharing Center**" is not fully supported on Windows 7.

Multi-Client Mode

Use this mode when you connect multiple non-wireless devices to BR-330AC-LP.

By using a HUB on the LAN port, up to 16 devices can be connected.

For wireless LAN connection, the MAC address of the BR-330AC-LP and the IP address of the connected device will be used.



TIP

- If a wireless router with a Proxy ARP function exists in the network environment, BR-330AC-LP may not be able to communicate with non-wireless devices. In such a case, disable the Proxy ARP function of the wireless router.
- The devices with multiple MAC addresses cannot be used.
- When Multi-Client Mode is on, only ARP, IPv4 and IPv6 are supported. The following protocols are not supported.
 - Protocols with a mechanism to check the source MAC address
 - Protocols with a system to run with a MAC address that is contained in the packet data

3-2. Configuration Method

There are 3 configuration methods as follows.

Please select the one appropriate for your environment.

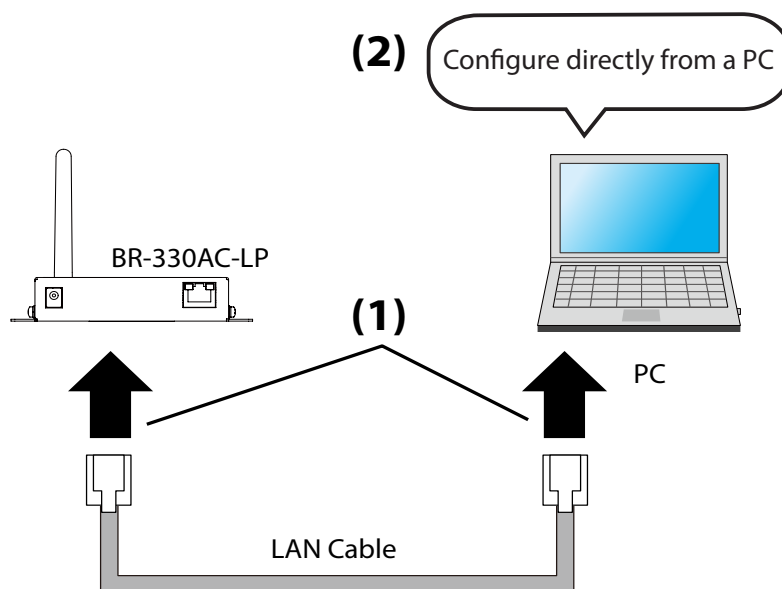
- Easy configuration using Configuration Mode
- Wireless configuration using Smart Wireless Setup (Push Switch)
- Wireless configuration using Smart Wireless Setup (PIN code)

Easy Configuration Using Configuration Mode

In this configuration method, you connect the BR-330AC-LP to a PC using a LAN cable to configure the settings from the PC.

By connecting the BR-330AC-LP to the PC and starting it in Configuration Mode, the Web configuration interface can be accessed. Select the wireless router the BR-330AC-LP should wirelessly connect to and enter the Network Key on the configuration interface.

Depending on your environment, you may need to check the wireless LAN information beforehand.

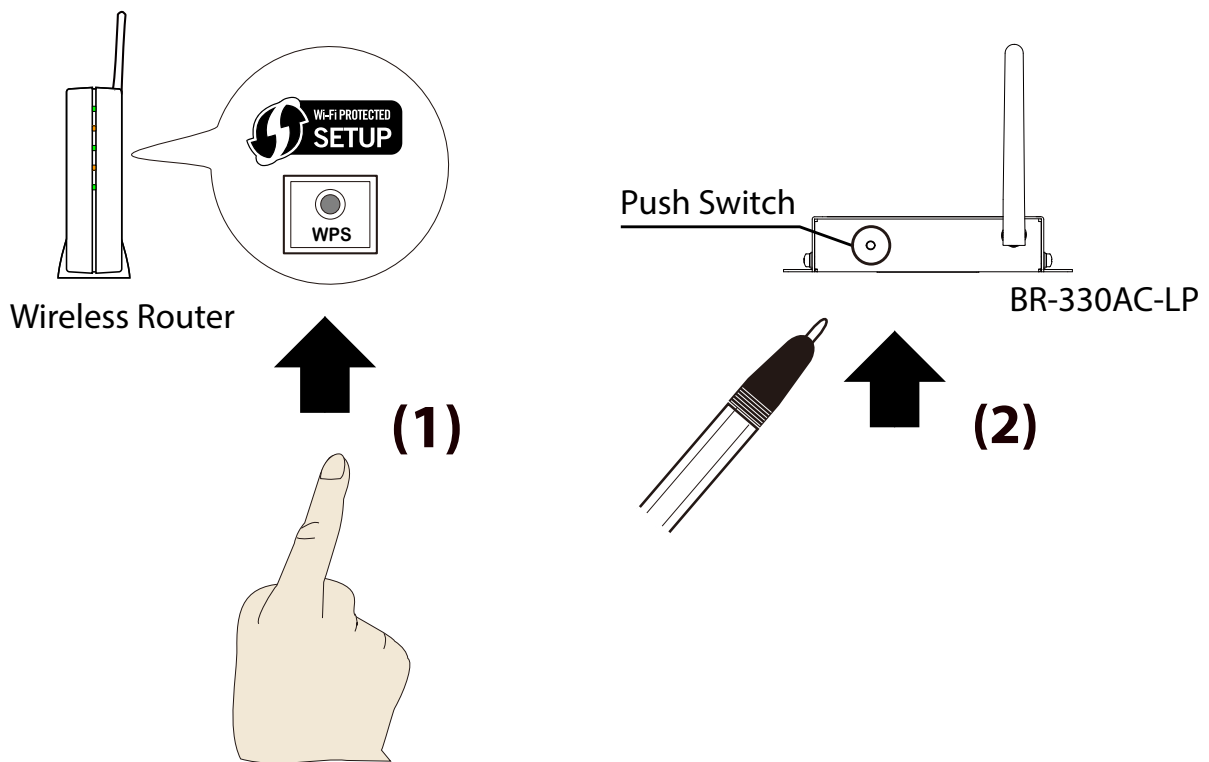


Note

- In this configuration method, only "**SSID**" and "**Network Key**" are needed to connect to a wireless LAN, however, further configuration is required in the following cases.
- Wireless router is operating in a stealth mode.
- Wireless router is using the Open authentication and the WEP key index other than "1".
- Too many wireless networks are active (up to 32 wireless networks can be shown by BR-330AC-LP).

Wireless Configuration Using Smart Wireless Setup (Push Switch)

In this configuration method, you can automatically configure the wireless settings by pressing the wireless connection button on your wireless router and the push switch on BR-330AC-LP. You will not have to get wireless setting information beforehand, as configuration is automatically handled by the BR-330AC-LP and your wireless router. For this configuration method, a wireless router supporting WPS(Wi-Fi Protected Setup) is required. To see if your wireless router supports WPS, refer to the operation manual that came with your wireless router or contact the manufacturer.

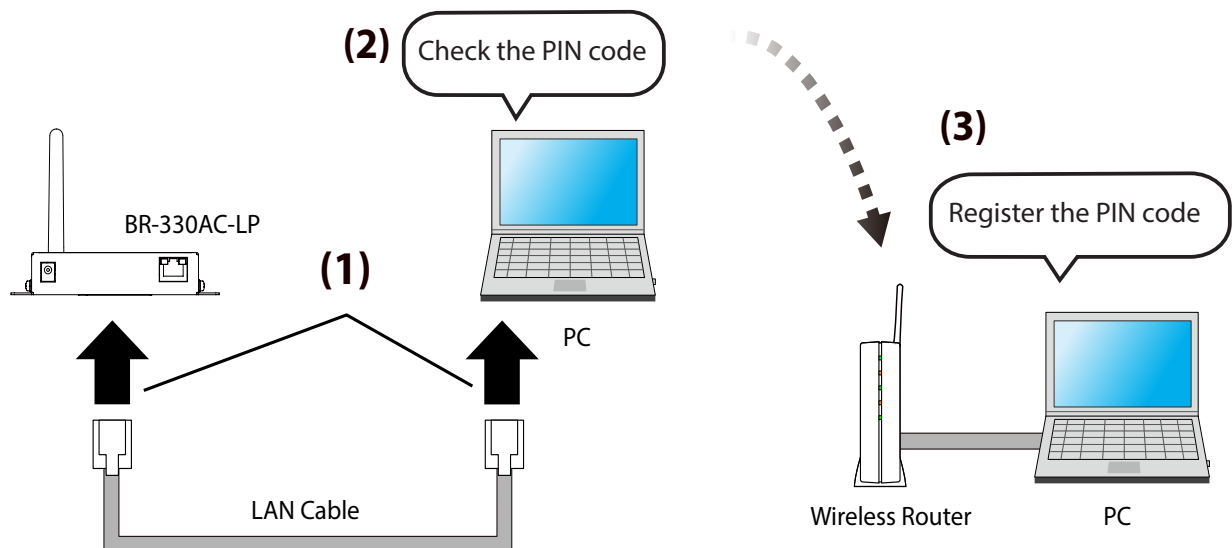


Wireless Configuration Using Smart Wireless Setup (PIN Code)

In this configuration method, you can automatically configure the wireless settings by entering the PIN code of BR-330AC-LP on your wireless router.

The PIN code can be identified from the Web configuration interface of BR-330AC-LP. To access the Web configuration interface, connect the BR-330AC-LP directly to a PC using a LAN cable and start it in Configuration Mode.

You will not have to get wireless setting information beforehand, as configuration is automatically handled by the BR-330AC-LP and your wireless router. For this configuration method, a wireless router supporting WPS(Wi-Fi Protected Setup) is required. To see if your wireless router supports WPS, refer to the operation manual that came with your wireless router or contact the manufacturer.

**Note**

- Two PCs are required for this configuration; one for the BR-330AC-LP and the other one for your wireless router.

3-3. Necessary Wireless Setting Information

When you configure BR-330AC-LP using the Configuration Mode, the wireless settings need to be configured appropriately for your environment. As the same wireless settings must be configured for both BR-330AC-LP and your wireless router, you need to get the necessary setting information of your wireless router beforehand.



Note

- If you plan to configure the BR-330AC-LP using Smart Wireless Setup, you will not have to get the wireless setting information.



TIP

- The wireless setting information explained in this page is specific to your network and cannot be provided by Silex technical support. For how to confirm each setting, please refer to the operation manual that came with your router or contact the manufacturer.
- Depending on your wireless router, WPS may need to be enabled manually. For details, refer to the operation manual that came with your wireless router.
- If a security feature such as MAC Address filtering is enabled on your wireless router, change the setting so that BR-330AC-LP can communicate with your wireless router. For details, refer to the operation manual that came with your wireless router.
- For the IEEE802.1X authentication, refer to **5-2. IEEE802.1X Authentication**.

| | | |
|-----------------|--------------------------------------------------------------------------------------------------------------------------------------------------------------------------------------------------------------------------------------------------------------------------------------------------------------------------------------------------------------------------------------------|--------------------------------------------------------------------------------------------------------------------------------------------------------------------------------------------------------------------------------------------------------------------------------------------------------------------------------------------------------------------------------------------------------------------------------------------------------------------------------------------------------------------------------------------------|
| SSID | The SSID is an ID that distinguishes a wireless LAN network from others. For wireless devices to communicate with each other on a wireless network, they must share the same SSID. (The SSID is also referred to as "ESSID".) Depending on your wireless router, it may have several SSIDs. If there are different SSIDs for a game console and computer, use the one for the computer. | |
| Encryption Mode | No Encryption | Uses no encryption for wireless communication. (In this case, you do not have to get any of your settings beforehand.) |
| | WEP | If WEP encryption is used, wireless communication will be encrypted using the settings for "WEP Key 1-4" and "Key Index". Set the same "WEP Key Size(64bit/128bit)", "WEP Key" and "Key Index" as the wireless device you wish to connect. |
| | WPA / WPA2 | Uses PSK for network authentication. The encryption key will be generated by communicating with the wireless router using a Pre-Shared key. WEP key setting is not used for this mode. Set the same "Pre-Shared key" and "Encryption Mode"(AUTO/AES*) as the wireless device you wish to connect. The Pre-Shared key is also referred to as "Network Key" or "Password". * For WPA2, only AES is supported. For the Pre-Shared Key, 8-63 alphanumeric characters or 64 hexadecimal value (numbers 0-9 and letters A-F) can be used. |

4. How to Configure BR-330AC-LP

This chapter explains how to configure BR-330AC-LP.

Following configuration methods are available:

- 1) Configuration using Configuration Mode
- 2) Configuration using Smart Wireless Setup (Push Switch)
- 3) Configuration using Smart Wireless Setup (PIN code)



- For details on each configuration method, refer to **3-2. Configuration Method**.

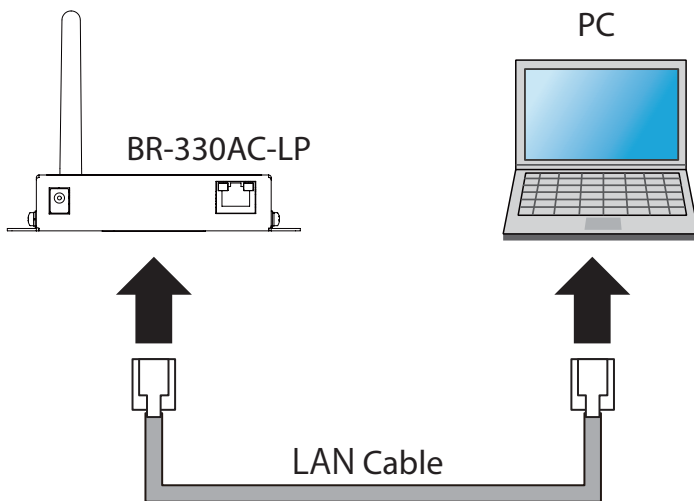
Note

Before starting the initial configuration, a password needs to be set for BR-330AC-LP. Refer to **4-1. Starting Configuration Mode for Password Settings** to set a password.

4-1. Starting Configuration Mode for Password Settings

Starting BR-330AC-LP in Configuration Mode

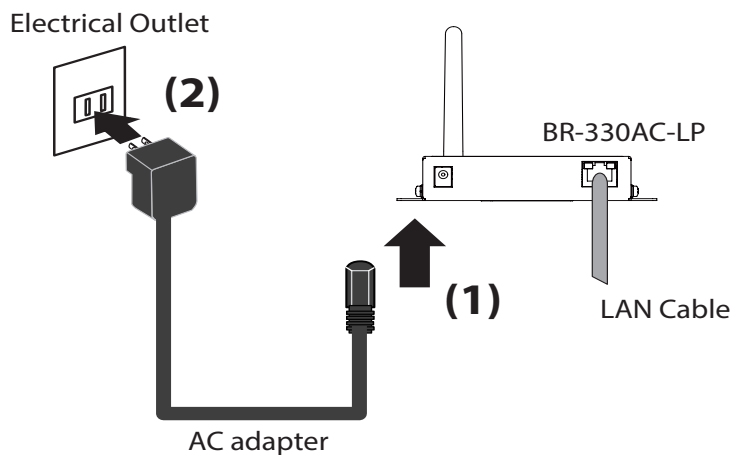
1. Connect BR-330AC-LP and the PC using a LAN cable.



- If a wireless LAN is enabled on your PC, please disable it.

TIP

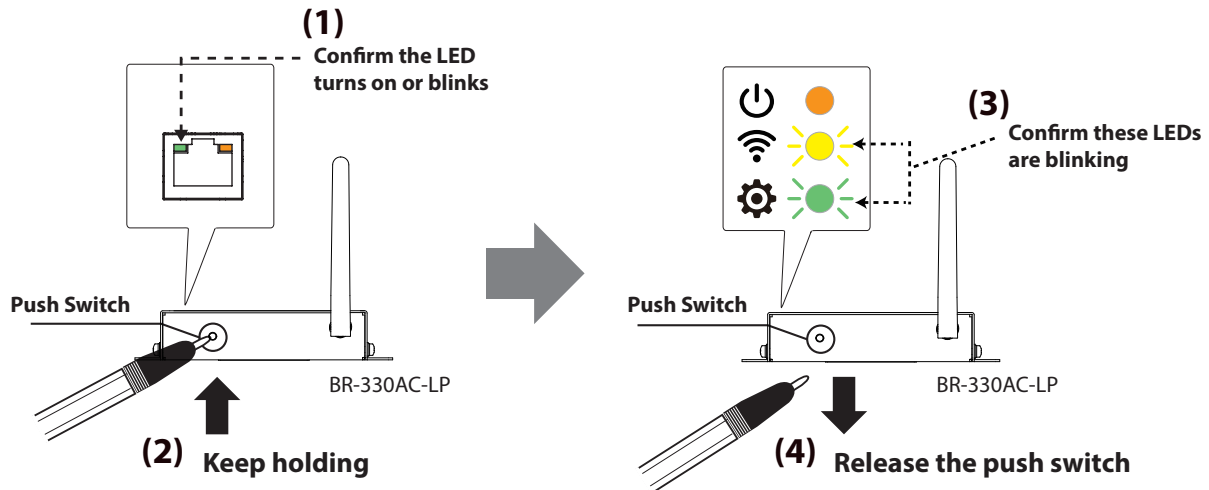
2. Connect the AC adapter to BR-330AC-LP, and the AC adapter's plug to an electrical outlet.



- 3.** When the POWER LED turns on and then the Link LED (Green) turns on or blinks, press and hold the push switch with a fine tipped object such as a pen or pencil.

In 5 seconds, the WLAN LED and STATUS LED will start to blink together. Release the push switch then.

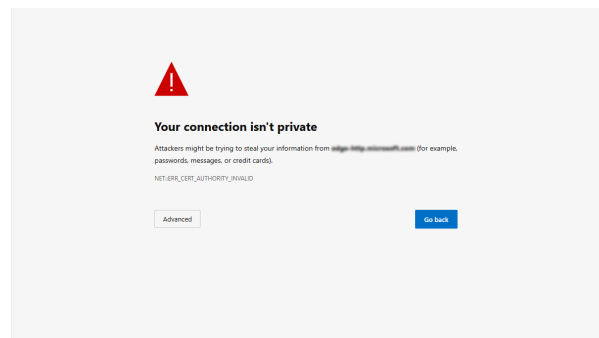
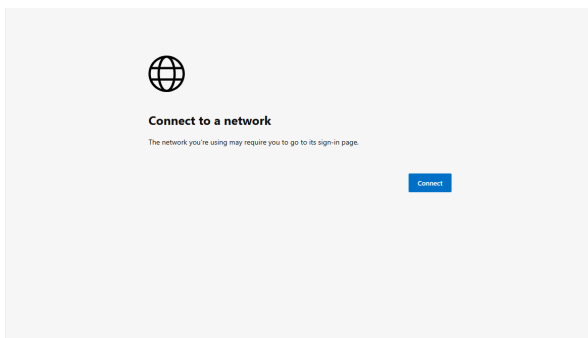
BR-330AC-LP will start running in the Configuration Mode and be ready to configure from the PC.



- 4.** As the Configuration Mode is turned on, the Web browser will launch and display the BR-330AC-LP's Web page on the PC connected to BR-330AC-LP.

If the Web browser does not launch, open it manually, enter "**https://silex**" in the address bar of the Web browser and press the Enter key.

If the **Connect to a network** screen appears, click **Connect**. If a warning screen appears then, click **Advanced** and click **Continue to xxxxxx(unsafe)**.

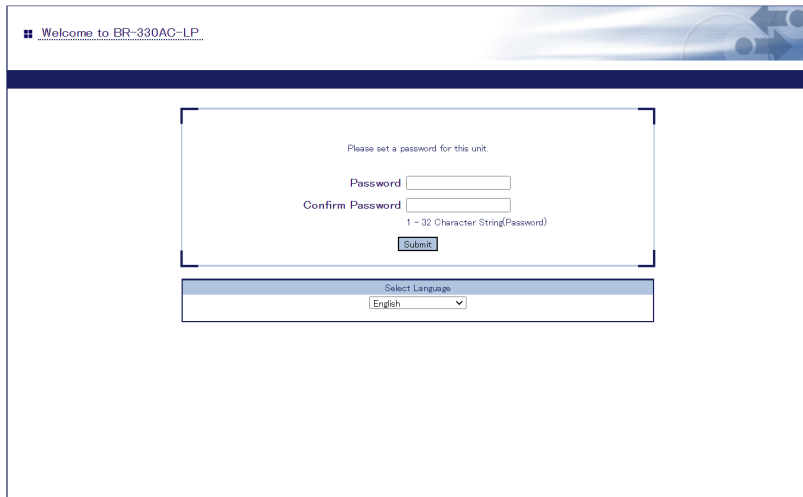


Note

- The display of warning screen may differ depending on the Web browser and its version.

Password Configuration

1. Start a Web browser on the PC you are using for the setup. When the login password configuration page appears, enter the login password to configure for BR-330AC-LP and click **Submit**.



The screenshot shows a web browser window with the title "Welcome to BR-330AC-LP...". The main content area contains a form titled "Please set a password for this unit." with the following fields and controls:

- "Password" text input field
- "Confirm Password" text input field
- A small text label "1 - 32 Character String(Password)" below the confirm password field
- A "Submit" button
- A "Select Language" dropdown menu below the form, currently set to "English"



TIP

- The login password configuration is needed only when BR-330AC-LP is configured for the first time (or when BR-330AC-LP is initialized.)
- Recommended Web browsers: Microsoft Edge / Mozilla Firefox.

2. The password registration will perform and BR-330AC-LP will be restarted.
When all LEDs turn off and then the POWER LED turns orange, the restart is finished.

4-2. Easy Configuration Using Configuration Mode

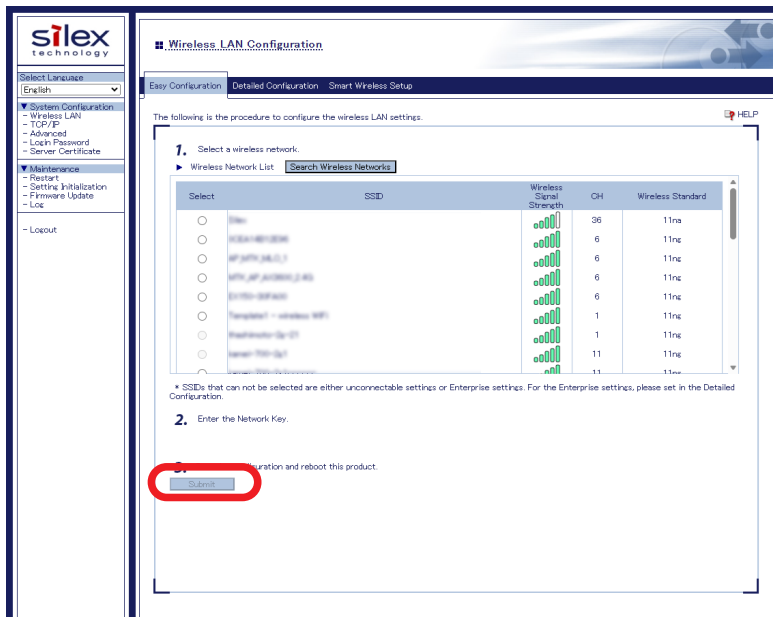
1. Refer to **4-1. Starting Configuration Mode for Password Settings - Starting BR-330AC-LP in Configuration Mode** to start BR-330AC-LP in the Configuration Mode.
2. The login page is displayed.
Enter the password you have configured and click **Login**.



TIP

- To start the configuration, the PC and BR-330AC-LP need to communicate each other properly.
- Confirm that an IP Address is correctly configured to the PC.
- If a static IP address is set to the PC, the Web configuration interface cannot be displayed in the following cases:
 - An IP address of the different segment is entered to the address bar, when the default gateway address is not configured to the PC.
 - A URL ("www.silextechnology.com", etc.) is entered to the address bar when the name resolution is disabled (DNS server address is not registered or NetBIOS is disabled).
- If the entered password is incorrect, you will not be able to log in for a certain period of time.
- Be sure to log out the Web page when you have finished using it.

3. Select the destination network from **Wireless Network List** and enter the WEP Key or Shared Key for **Network Key**.
Click **Submit** when finished.



Note

- For network key, usable characters will differ depending on the wireless router to connect.
- For WEP key, enter 5 or 13 characters or 10 or 26 digit hexadecimal value. For details, refer to **WEP Key 1-4** at **A-1. List of All Settings**.
- For Pre-Shared key, enter 8-63 characters or 64 hexadecimal value. For details, refer to **Pre-Shared Key** at **A-1. List of All Settings**.
- If the wireless router is operating in a stealth mode, it is not displayed at **Wireless Network List**. In such a case, click **Detailed Configuration** on the top, enter the detailed setting information of the wireless router and click **Submit**. For details on each setting, please refer to the HELP on Web configuration interface.
- To use the IEEE802.1X authentication, click **Detailed Configuration** on the top, enter the detailed setting information of the wireless router and click **Submit**. For details on each setting, please refer to the HELP on Web configuration interface.
- Up to 32 wireless routers can be displayed at **Wireless Network List**.
- If the wireless router you wish to connect is not displayed in the list, you may have reached the maximum number of wireless devices that BR-330AC-LP can detect and show in the list.

4. When the confirmation message is displayed, click **Restart** to restart BR-330AC-LP.



5. BR-330AC-LP is restarted to take effect of the new setting.

The configuration has been completed.

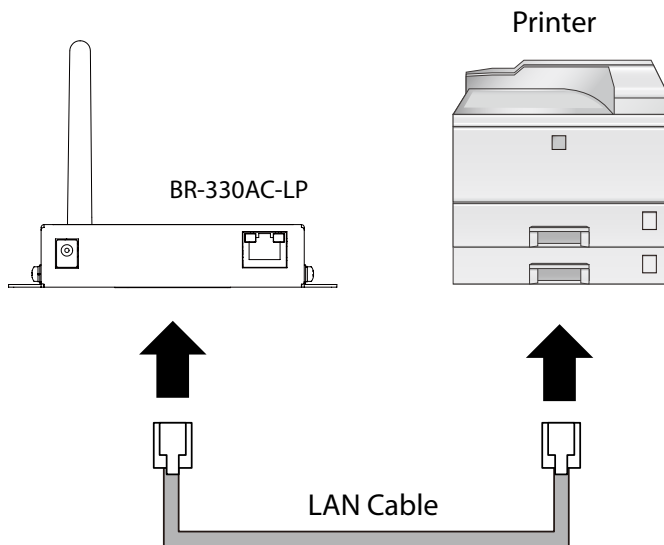
When you wish to bridge the PC used for this configuration wirelessly, restart the PC.

To bridge another device wirelessly, turn off both BR-330AC-LP and PC, remove the BR-330AC-LP from the PC and connect the BR-330AC-LP to the device you wish to use wirelessly using a LAN cable. For details, refer to **4-3. Connecting Non-wireless Devices**.

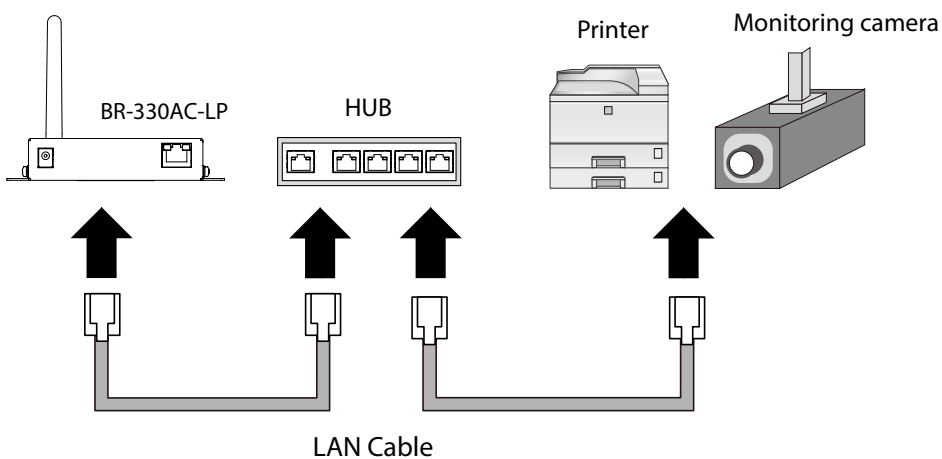
4-3. Connecting Non-wireless Devices

1. Turn off the non-wireless device that you wish to use wirelessly and connect the BR-330AC-LP to it using a LAN cable. The connection method will vary depending on each operating mode.

How to Connect in Single Client Mode



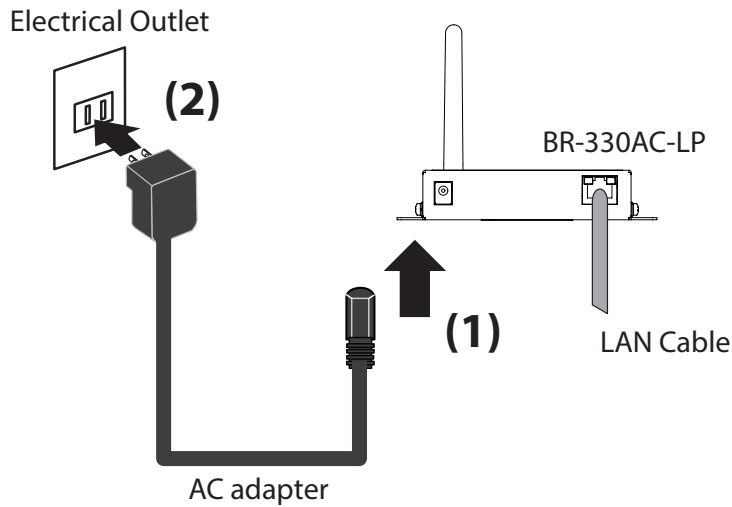
How to Connect in Multi-Client Mode



Note

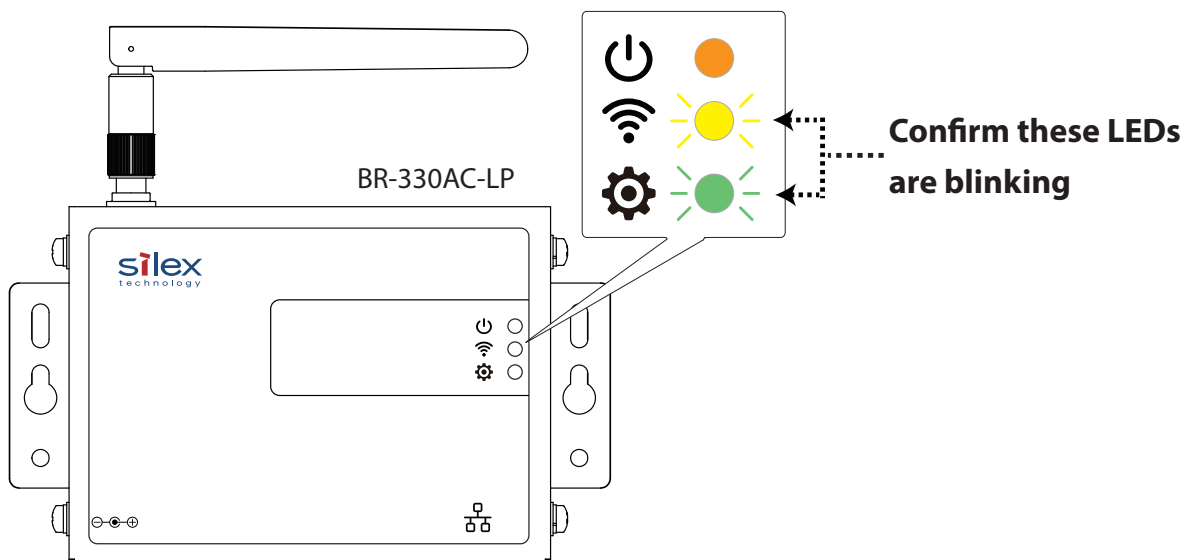
- For details on each operating mode, refer to **3-1. Operating Mode**.

2. Connect the AC adapter to the BR-330AC-LP and the AC plug to the outlet.



3. Turn on the non-wireless device connected to the BR-330AC-LP.

During the MAC address resolution, the WLAN LED and STATUS LED will flash alternately. When the LED status has changed from it, the BR-330AC-LP will be ready to use. You can use the non-wireless device over a wireless network.



Note

- Depending on the non-wireless device you have connected, further network settings may need to be configured to that device. In such a case, please configure it according to the operating manual that came with your device.
- When you turn on the BR-330AC-LP and your non-wireless device, be sure to turn on the BR-330AC-LP first. Do not press the push switch then.

4-4. Configuration Using Smart Wireless Setup (Push Switch)

The wireless settings can be configured easily using the push switch if your wireless router supports WPS(Wi-Fi Protected Setup). How to configure the wireless settings using the push switch is explained below.



- A password needs to be set for BR-330AC-LP beforehand.
- Please check that the wireless router supporting WPS is installed on your network.
- This configuration method is not available if the wireless router is operating in a stealth mode.
- To ensure proper communication during this configuration, please temporarily move the BR-330AC-LP closer to the wireless router.
- The WPS feature may need to be enabled on your wireless router manually. For details, see the operating manual that came with your wireless router.
- If a security feature such as MAC address filtering is enabled on your wireless router, disable it temporarily.
- To connect multiple devices using a HUB, use **Multi-Client Mode**. See **5-1. How to Access Web Configuration Interface** to change the operating mode.

Configuration

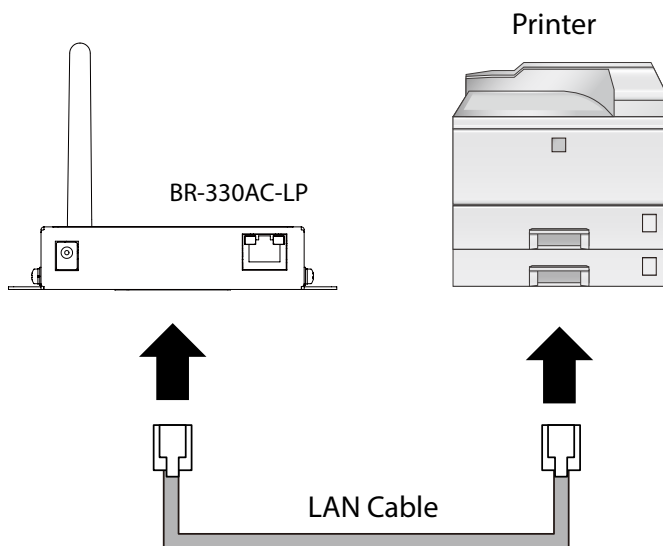
When the operating mode is **Single Client Mode**, you need to connect a non-wireless device to the BR-330AC-LP in order to start the configuration.

When the operating mode is **Multi-Client Mode**, you do not have to connect a non-wireless device. In such a case, start from **2** in this section.

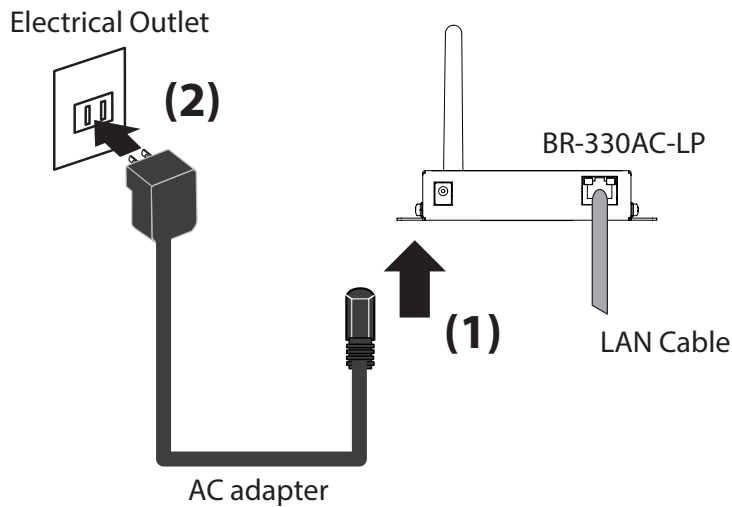
**Note**

- By default, the operating mode is set to **Multi-Client Mode**.
- To see which operating mode your BR-330AC-LP is running on, start the BR-330AC-LP in the Configuration Mode and access the Web page.

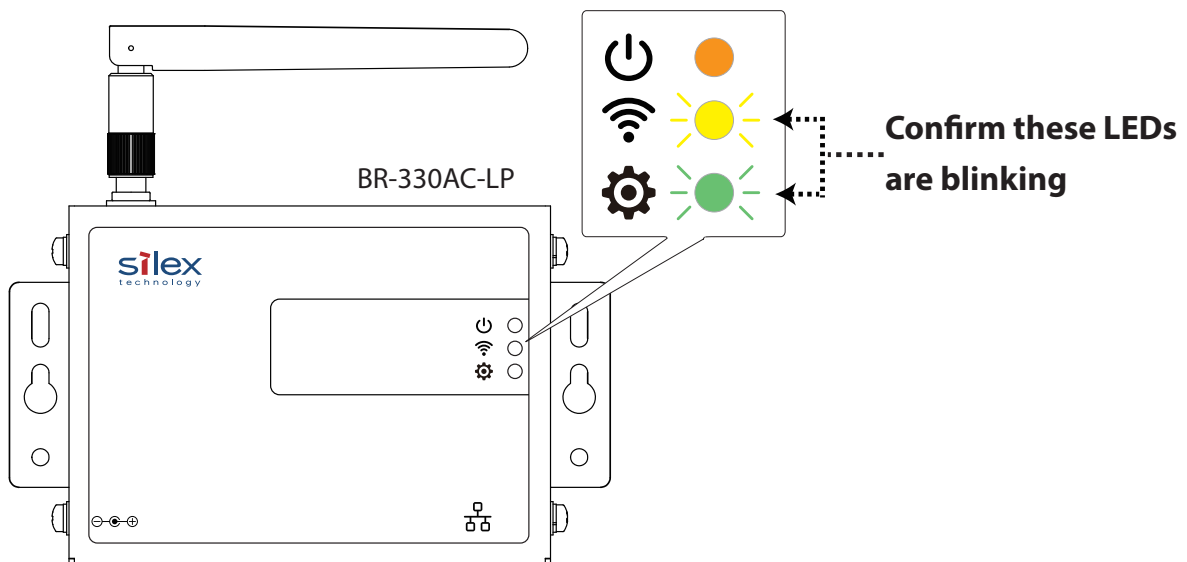
1. Turn off the non-wireless device that you wish to use wirelessly and connect the BR-330AC-LP to it using a LAN cable.



2. Connect the AC adapter to the BR-330AC-LP and the AC plug to the outlet.



3. Turn on the non-wireless device connected to the BR-330AC-LP.
During the MAC address resolution, the WLAN LED and STATUS LED will flash alternately. When the LED status has changed from it, the BR-330AC-LP will be ready to configure using Smart Wireless Setup.

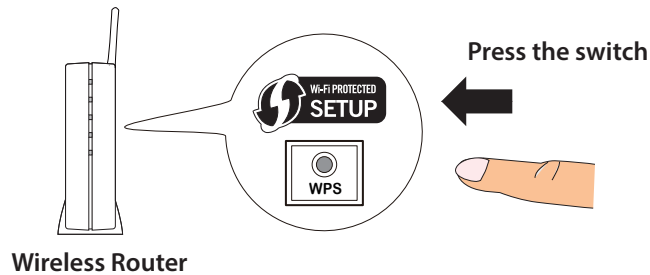


Note

- Depending on the non-wireless device you have connected, further network settings may need to be configured to that device. In such a case, please configure it according to the operating manual that came with your device.
- When you turn on the BR-330AC-LP and your non-wireless device, be sure to turn on the BR-330AC-LP first. Do not press the push switch then.

4. Press the WPS button on your wireless router.

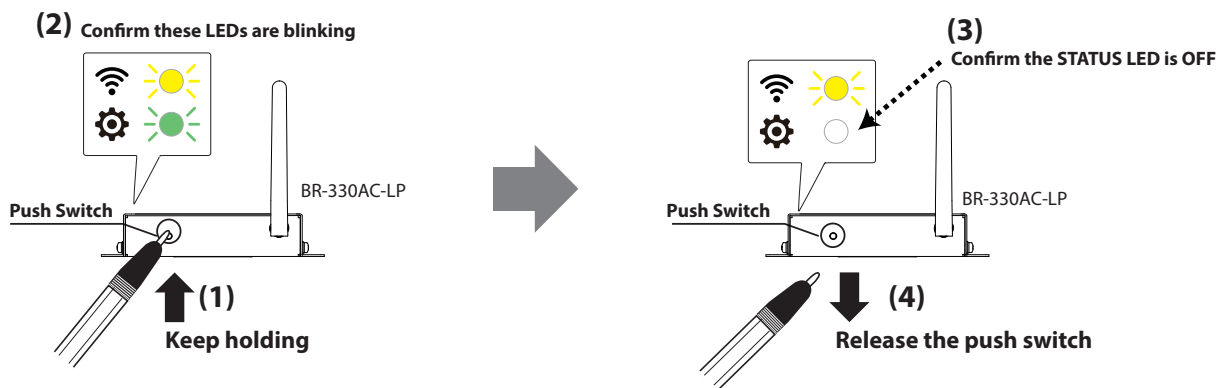
Confirm that your wireless router is ready for a wireless connection to be made.

**Note**

- The name, position and shape of the WPS button will differ depending on your wireless router. For details, refer to the operation manual that came with your wireless router.
- Please use only one wireless router. If two or more wireless routers are waiting for wireless connections, BR-330AC-LP will not be able to connect properly.

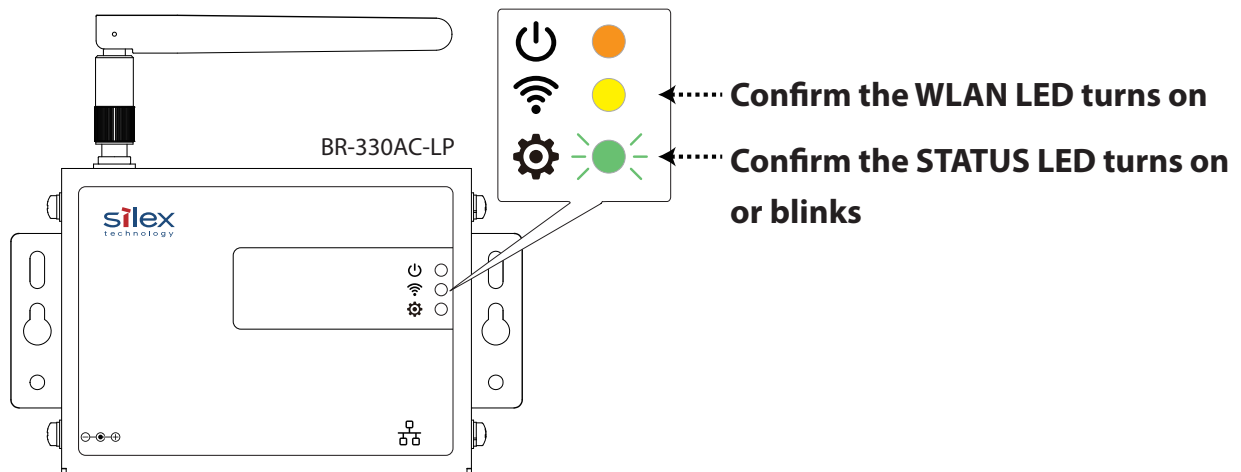
5. Press and hold the push switch at the top of BR-330AC-LP. The WLAN LED and STATUS LED will start to blink together.

Keep holding it for 5 seconds. When the WLAN LED continues to blink while the STATUS LED turns off, release the push switch.



6. BR-330AC-LP will start to communicate with your wireless router.

When the wireless configuration is successfully completed, the WLAN LED turns on and the STATUS LED turns on or blinks.



Note

- It may take a while to complete the wireless configuration depending on your environment.
 - When wireless configuration has failed, the WLAN LED will flash rapidly.
- In such a case, read the instructions carefully and start from **4** again.

If you plan to use BR-330AC-LP in **Single Client Mode**, you can keep using the connected non-wireless device to use it wirelessly.

To replace it with the other non-wireless device, turn off the BR-330AC-LP and replace the connected non-wireless device to it. See **4-3. Connecting Non-wireless Devices** for how to connect the BR-330AC-LP and non-wireless device using a LAN cable.

To change the operating mode, start the BR-330AC-LP in configuration mode. For details, refer to **5-1. How to Access Web Configuration Interface**.

4-5. Configuration Using Smart Wireless Setup(Pin Code)

The wireless settings can be configured easily using the PIN code when your wireless router supports WPS(Wi-Fi Protected Setup). How to configure the wireless settings using the PIN code is explained below.



TIP

- A password needs to be set for BR-330AC-LP beforehand.
- Please check that the wireless router supporting WPS is installed on your network.
- This configuration method is not available if the wireless router is operating in a stealth mode.
- To ensure proper communication during this configuration, please temporarily move the BR-330AC-LP closer to the wireless router.
- The WPS feature may need to be enabled on your wireless router manually. For details, see the operating manual that came with your wireless router.
- If a security feature such as MAC address filtering is enabled on your wireless router, disable it temporarily.
- To connect multiple devices using a HUB, use **Multi-Client Mode**. See **5-1. How to Access Web Configuration Interface** to change the operating mode.

Checking a PIN Code

1. Access the Web page of BR-330AC-LP using the Web browser.
2. The login page is displayed.
Enter the password you have configured and click **Login**.



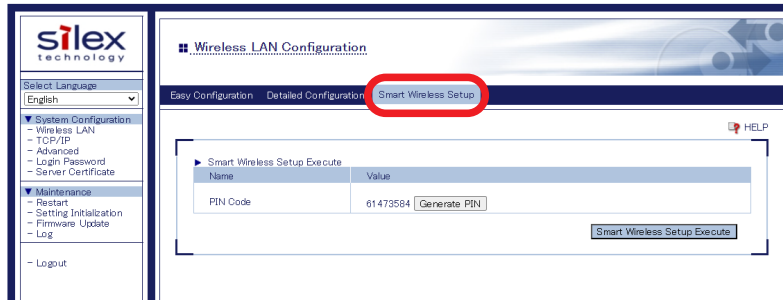
TIP

- To start the configuration, the PC and BR-330AC-LP need to communicate each other properly.
- Confirm that an IP Address is correctly configured to the PC.
- If a wireless LAN is enabled on your PC, please disable it.
- If a static IP address is set to the PC, the Web configuration interface cannot be displayed in the following cases:
 - An IP address of the different segment is entered to the address bar, when the default gateway address is not configured to the PC.
 - A URL ("www.silextechnology.com", etc.) is entered to the address bar when the name resolution is disabled (DNS server address is not registered or NetBIOS is disabled).
- If the entered password is incorrect, you will not be able to log in for a certain period of time.
- Be sure to log out the Web page when you have finished using it.

3. The Web page of BR-330AC-LP is displayed.

| Select | SSID | Wireless Signal Strength | CH | Wireless Standard |
|-----------------------|------|--------------------------|----|-------------------|
| <input type="radio"/> | 11n | 0000 | 36 | 11n |
| <input type="radio"/> | 11n | 0000 | 6 | 11n |
| <input type="radio"/> | 11n | 0000 | 6 | 11n |
| <input type="radio"/> | 11n | 0000 | 6 | 11n |
| <input type="radio"/> | 11n | 0000 | 6 | 11n |
| <input type="radio"/> | 11n | 0000 | 6 | 11n |
| <input type="radio"/> | 11n | 0000 | 1 | 11n |
| <input type="radio"/> | 11n | 0000 | 1 | 11n |
| <input type="radio"/> | 11n | 0000 | 11 | 11n |
| <input type="radio"/> | 11n | 0000 | 11 | 11n |

4. In the Web configuration interface, click **Smart Wireless Setup** and check the PIN code. Keep this screen displayed as it will be used again at **Configuration** in the next page. Do not click the **Smart Wireless Setup Execute** yet.



- Do not click the **Smart Wireless Setup Execute** yet.
It will need to be clicked at **Configuration** in the next page.

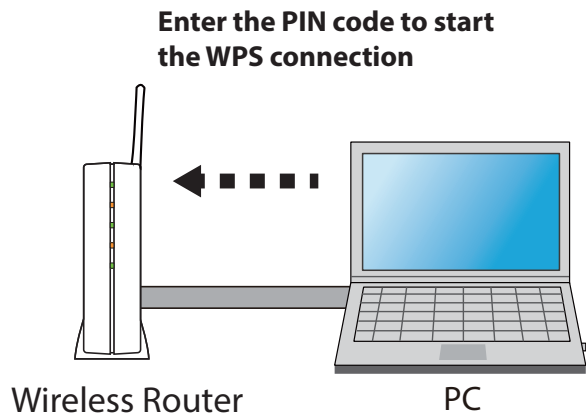


Note

- To change the PIN code, click the **Generate PIN**. A new PIN code will be generated automatically.

Configuration

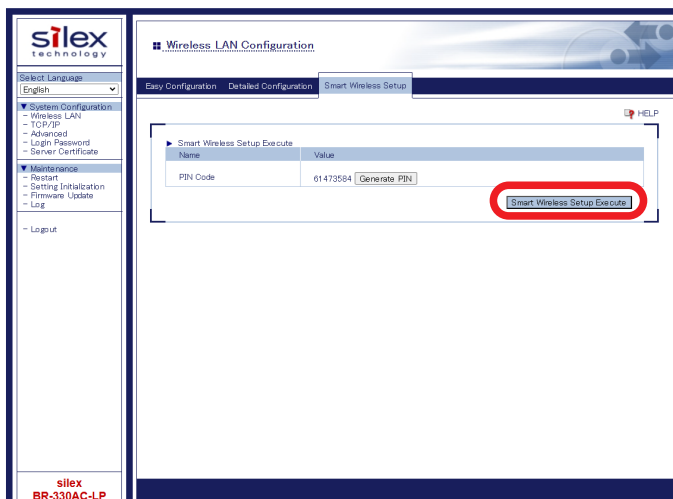
1. Access the Web configuration interface of the wireless router using a Web browser on your PC. Enter the PIN code and start the WPS connection from the wireless router.



Note

- The method to enter the PIN code on wireless router will differ depending on each wireless router. For details, refer to the operating manual that came with your wireless router.

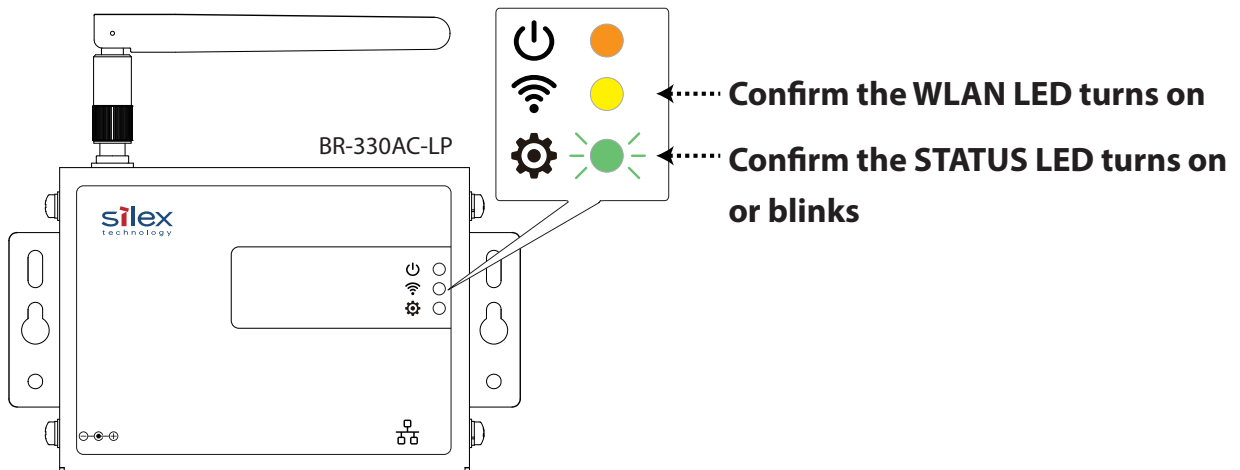
2. Go back to the **Smart Wireless Setup** page of the BR-330AC-LP and click the **Smart Wireless Setup Execute**.



TIP

- If Smart Wireless Setup is started on the BR-330AC-LP earlier than the wireless router, the configuration may fail.

- 3.** BR-330AC-LP will start to communicate with your wireless router.
When the wireless configuration is successfully completed, the WLAN LED turns on and the STATUS LED turns on or blinks.



Note

- It may take up to 2 min to finish the wireless configuration depending on your environment.
 - When wireless configuration has failed, the WLAN LED will flash rapidly.
- In such a case, read the **TIP** at the beginning of **4-5. Configuration Using Smart Wireless Setup(Pin Code)** and try again.
- To change the PIN code, see **Checking a PIN Code**.

To give a wireless feature to the same PC (the one you have been using for configuration), please restart the PC.

To give a wireless feature to the other device, turn off BR-330AC-LP, and remove it from the PC. For details, refer to **4-3. Connecting Non-wireless Devices** to connect BR-330AC-LP to the network device using a LAN cable.

Blank page

5. List of Functions

This chapter explains the BR-330AC-LP functions.

5-1. How to Access Web Configuration Interface

The Web page of BR-330AC-LP can be accessed by one of the following methods.

Make sure that the configuration is performed when BR-330AC-LP is directly connected to the PC or used on a secure network.

Access the Web page using the IP address

Enter **https://[IP address of BR-330AC-LP]** in the address bar of your Web browser and press the Enter key.

Access the Web page using the Configuration Mode

Start BR-330AC-LP in the Configuration Mode. For details, refer to **4-1. Starting Configuration Mode for Password Settings - Starting BR-330AC-LP in Configuration Mode.**



Note

- The IP address of BR-330AC-LP can be identified using AMC Manager®.
- For how to download AMC Manager®, refer to **A-3. What's AMC Manager®?**.

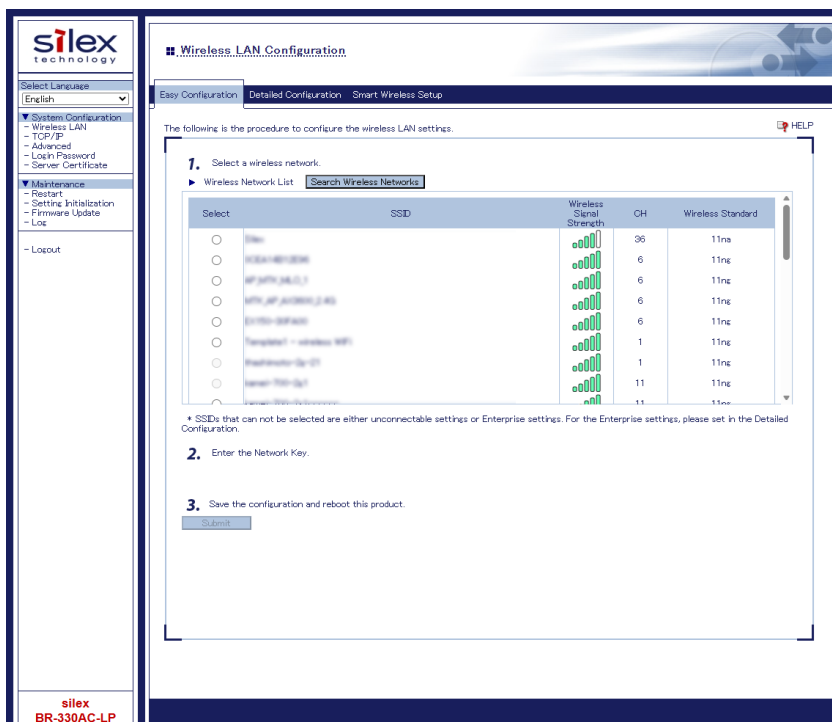
Displaying the Web Configuration Interface

1. Access the Web page of BR-330AC-LP using the Web browser.
2. The Web browser is started and the login page of BR-330AC-LP is displayed.
Enter the password for BR-330AC-LP and click **Login**.

**TIP**

- Recommended Web browsers: Microsoft Edge / Mozilla Firefox.
- If a static IP address is set to the PC, the Web configuration interface cannot be displayed in the following cases:
 - An IP address of the different segment is entered to the address bar, when the default gateway address is not configured to the PC.
 - A URL ("www.silxtechnology.com", etc.) is entered to the address bar when the name resolution is disabled (DNS server address is not registered or NetBIOS is disabled).
- If the entered password is incorrect, you will not be able to log in for a certain period of time.
- Up to 10 sessions can be logged in to the Web page at the same time.
- Be sure to log out the Web page when you have finished using it.

3. The Web configuration interface of BR-330AC-LP is displayed. In the Web configuration interface, the operating mode, wireless setting, etc. can be changed.



The screenshot shows the Web configuration interface for the BR-330AC-LP device. The main content area is titled "Wireless LAN Configuration" and includes a "Wireless Network List" table. The table has the following columns: "Select", "SSID", "Wireless Signal Strength", "CH", and "Wireless Standard".

| Select | SSID | Wireless Signal Strength | CH | Wireless Standard |
|-----------------------|-----------------------------|--------------------------|----|-------------------|
| <input type="radio"/> | 11n | Full | 36 | 11n |
| <input type="radio"/> | 11n-40/20M | Full | 6 | 11n |
| <input type="radio"/> | 11n-40/20M/2 | Full | 6 | 11n |
| <input type="radio"/> | 11n-40/20M/2/40 | Full | 6 | 11n |
| <input type="radio"/> | 11n-40/20M/2/40/2 | Full | 6 | 11n |
| <input type="radio"/> | 11n-40/20M/2/40/2/40 | Full | 1 | 11n |
| <input type="radio"/> | 11n-40/20M/2/40/2/40/2 | Full | 1 | 11n |
| <input type="radio"/> | 11n-40/20M/2/40/2/40/2/40 | Full | 11 | 11n |
| <input type="radio"/> | 11n-40/20M/2/40/2/40/2/40/2 | Full | 11 | 11n |

Below the table, there is a note: "* SSIDs that can not be selected are either unconnectable settings or Enterprise settings. For the Enterprise settings, please set in the Detailed Configuration."

The interface also includes a "Submit" button and a "HELP" link.



Note

- BR-330AC-LP needs to be restarted for changes to take effect.

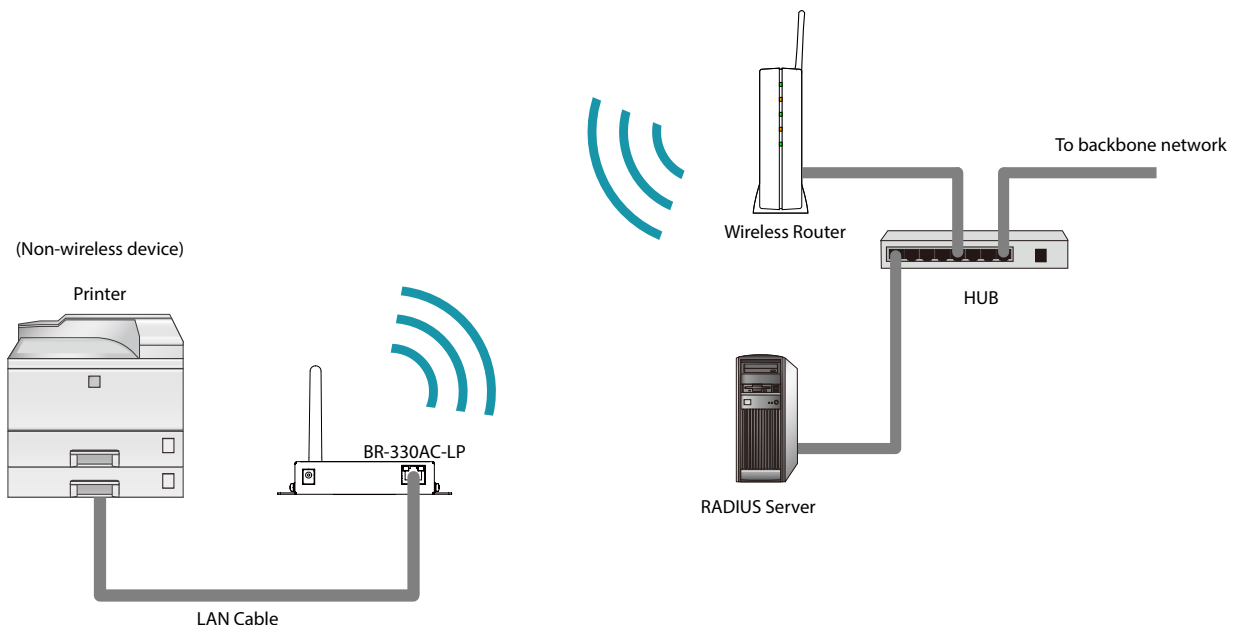
5-2. IEEE802.1X Authentication

BR-330AC-LP supports the IEEE802.1X authentication.

To use the IEEE802.1X authentication, a RADIUS server is needed.

Network Configuration

Connect the BR-330AC-LP to a network as below when you use the IEEE802.1X authentication. The RADIUS server identifies the reliability of BR-330AC-LP as an authentication host, while BR-330AC-LP identifies the reliability of RADIUS server as an authentication client to identify the reliability of the network to connect to.



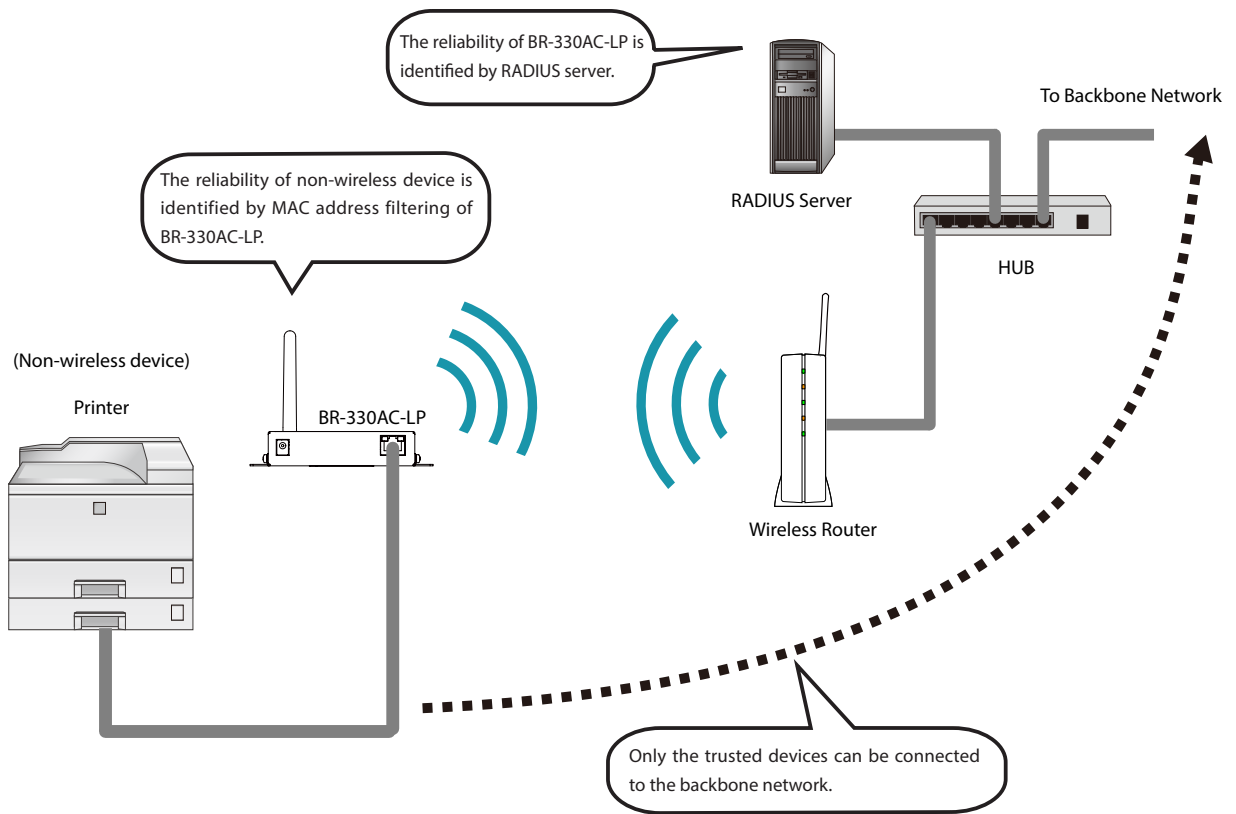
When using the authentication method that requires a certificate, get the necessary certificate issued by the certificate authority and import it to the BR-330AC-LP.

To use this function, register the MAC address of non-wireless device with BR-330AC-LP. The reliability of non-wireless devices connected to BR-330AC-LP is identified using the MAC address filtering.



- IEEE802.1X authentication is supported only for wireless network.

TIP



IEEE802.1X Authentication

BR-330AC-LP supports the following IEEE802.1X authentication methods.

These can be set using the Web page.

| IEEE802.1X Authentication mode |
|--------------------------------|
| EAP-TLS |
| EAP-TTLS |
| PEAP |
| EAP-FAST |
| LEAP |

The screenshot displays the 'Wireless LAN Configuration' page for the Silex BR-330AC-LP device. The interface is divided into three tabs: 'Easy Configuration', 'Detailed Configuration' (selected), and 'Smart Wireless Setup'. The main content area is titled 'Configure the wireless LAN parameters manually. Enter the values and click "Submit".' and contains several configuration sections:

- Wireless LAN Basic Configuration:** A table with columns 'Name' and 'Value'.

| Name | Value |
|-----------------------------|-----------------|
| Wireless Standard | AUTO |
| SSID | Silex |
| Network Authentication | WPA2-Enterprise |
| Encryption Mode | AES |
| IEEE802.11r Fast Transition | DISABLE |
- WPA/WPA2 Enterprise Configuration:** A table with columns 'Name' and 'Value'.

| Name | Value |
|-----------------------------|----------------------------|
| Authentication Method | EAP-TLS |
| EAP User Name | |
| Client Certificate Password | |
| Client Certification | Choose File No file chosen |
| Server Authentication | OFF |
- Certificate Registration Status:** A table showing the status of various certificates.

| Certificate Name | Registration Status |
|-----------------------|---------------------|
| Client Certification | Not Registered |
| CA Certificate | Not Registered |
| PAC File Distribution | Not Registered |
- IEEE802.1X Network Device Configuration:** A section that is currently collapsed.

The left sidebar contains the Silex logo, a language selector (English), and a navigation menu with categories like System Configuration, Maintenance, and Logout. The bottom of the page shows the device model 'silex BR-330AC-LP' and a 'Select one' dropdown menu.

Settings on each authentication mode

The compatible settings on each authentication mode are as follows.

For details, refer to **Appendix A-1. List of All Settings**.

| Name | IEEE802.1X Authentication Mode | | | | |
|-----------------------------|--------------------------------|-----------|-----------|-----------|-----------|
| | EAP-TLS | EAP-TTLS | PEAP | EAP-FAST | LEAP |
| EAP User Name | Necessary | Necessary | Necessary | Necessary | Necessary |
| EAP Password | - | Necessary | Necessary | Necessary | Necessary |
| Inner Authentication Method | - | Necessary | Necessary | - | - |
| Server Authentication | Optional | Optional | Optional | - | - |
| CA Certificate | (*1) | (*1) | (*1) | - | - |
| Auto PAC Provisioning | - | - | - | Optional | - |
| PAC File Distribution | - | - | - | (*2) | - |
| PAC Password | - | - | - | (*2) | - |
| Client Certification | Necessary | - | - | - | - |
| Client Certificate Password | Optional | - | - | - | - |

| | |
|------|-------------------------------------------------------|
| Note | (*1) Necessary when the Server Authentication is ON. |
| | (*2) Necessary when the Auto PAC Provisioning is OFF. |

| Name | Details |
|-----------------------------|------------------------------------------------------------------------------------------------------------------------------------------------------------|
| EAP User Name | This is an ID and password for the RADIUS server to identify the client. |
| EAP Password | |
| Inner Authentication Method | Specify the authentication protocol to use. For PEAP, MSCHAPv2 is used. |
| Server Authentication | Enable(ON) / Disable(OFF) the reliability check of the RADIUS server. When ON is selected, CA certificate is required to verify the server certificate. |
| CA Certificate | This is a CA certificate to authenticate the RADIUS server. |
| Auto PAC Provisioning | Enable(ON) / Disable(OFF) the automatic PAC distribution. When OFF is selected, the PAC file generated by the RADIUS server is required. |
| PAC File Distribution | This is the file used for manual provisioning. This file is generated by the RADIUS server. To analyze a password-set PAC file, you need the password. |
| PAC Password | |
| Client Certification | Use this to check the client reliability. To read out the secret key from the client certificate, a password is required. |
| Client Certificate Password | |



- Please create the client certificate and the CA certificate separately. BR-330AC-LP does not support the certificate composed of multiple certificate files.

Certificate Standard

When using the authentication mode which uses a certificate, get the necessary certificate issued from the certificate authority and import it to the BR-330AC-LP.

The BR-330AC-LP supports the following certificates:

Certificate Standard

The certificate supports the standards as follows:

| Certificate | Item | Compatible standards |
|--------------------|---------------------------|---------------------------------------------------------------------|
| Client certificate | X509 certificate version | v3 |
| | Public key algorithm | RSA |
| | Public key size | 512bit, 1024bit, 2048bit, 4096bit |
| | Signature algorithm | SHA1/SHA2(SHA-224,SHA-256,SHA-384,SHA-512) withRSA MD5withRSA |
| | X509v3 extended key usage | Client authentication (1.3.6.1.5.5.7.3.2) |
| CA certificate | Public key algorithm | RSA |
| | Public key size | 512bit, 1024bit, 2048bit, 4096bit |
| | Signature algorithm | SHA1/SHA2(SHA-224,SHA-256,SHA-384,SHA-512) withRSA MD5withRSA |

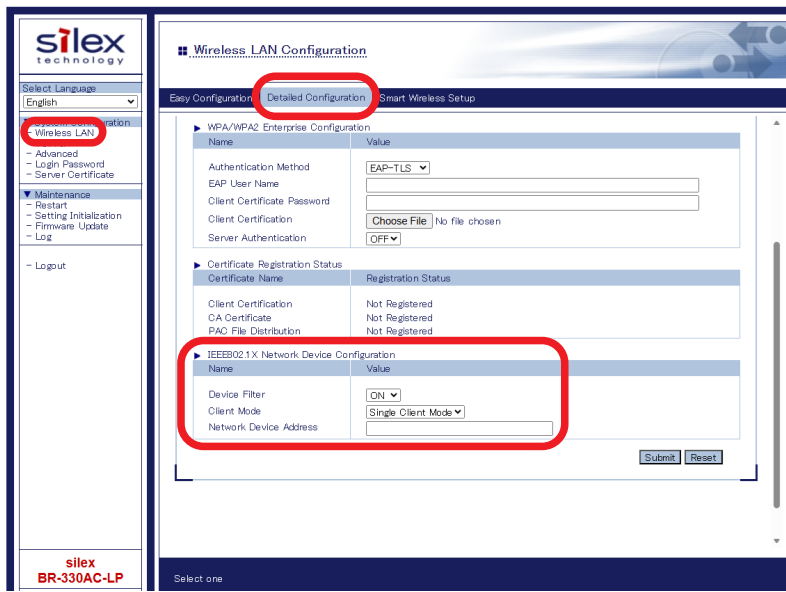
Certificate Saving Format

The following saving formats are supported:

| Certificate | Compatible standards |
|--------------------|--------------------------------------------------------------------------------------|
| Client certificate | PKCS#12, pfx * This is the format which includes a secret key of the certificate. |
| CA certificate | DER (Binary encoded X509) PEM (A text form. DER is BASE64 encoded.) |

MAC Address Filtering

When the IEEE802.1X authentication is used, access to the BR-330AC-LP from non-wireless devices needs to be controlled so that access from unauthorized devices can be blocked. Check the MAC address of non-wireless device to allow an access, and register it to the Web page of BR-330AC-LP.



Before Using the IEEE802.1X Authentication

In order to use the IEEE802.1X authentication on BR-330AC-LP, the information below will be required.

(1) User name and password to access the RADIUS server

To access the RADIUS server, the user name and password are required. Also, when using the authentication method that requires a certificate, the certificate file will be needed.

(2) MAC address of the non-wireless device

BR-330AC-LP allows bridging only for those with the registered MAC address. The MAC address information is required to allow them to be bridged using BR-330AC-LP.

IEEE802.1X Authentication Settings

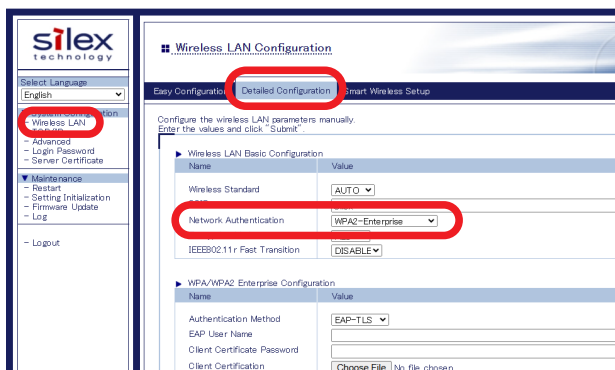
How to configure the IEEE802.1X authentication setting is explained.

To use the authentication method that requires a certificate, import the certificate file.

1. In the Web configuration interface of the BR-330AC-LP, click **Wireless LAN - Detailed Configuration**.

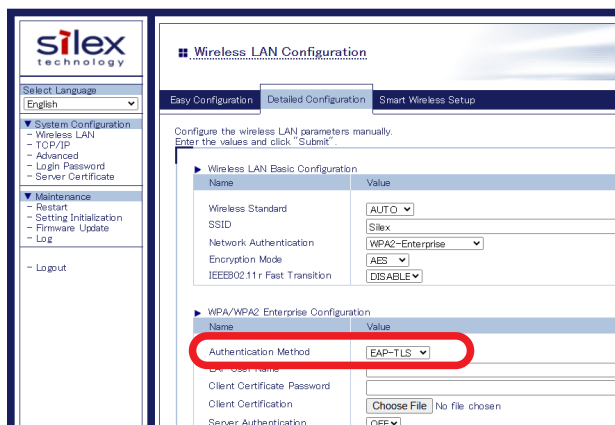
In the **Detailed Configuration** page, select one of the followings for **Network Authentication**.

- WPA2-Enterprise
- WPA/WPA2-Enterprise



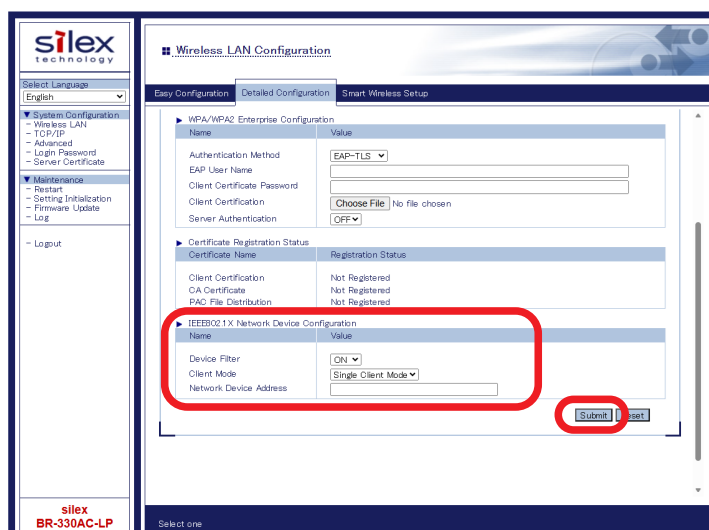
2. Select one of the followings for **Authentication Method**.

- EAP-TLS
- EAP-TTLS
- PEAP
- EAP-FAST
- LEAP



* Settings will vary depending on the IEEE802.1X authentication mode you select.

3. Enter the MAC address of the non-wireless device (the one you want to use wirelessly using BR-330AC-LP) to **Network Device Address** under **IEEE802.1X Network Device Configuration**, and click **Submit**.

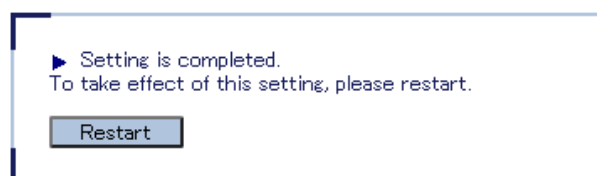
**TIP**

- When the IEEE802.1X authentication is used, access to the BR-330AC-LP from non-wireless devices needs to be restricted so that access from unauthorized devices can be blocked.
- The BR-330AC-LP bridges only the devices whose MAC address is registered to **Network Device Address**. Check the MAC address of the non-wireless device to bridge and register it to **Network Device Address**.
- Please configure this even when you connect only one non-wireless device in a **Single Client Mode**.
- In **Multi-Client Mode**, register the MAC addresses of all non-wireless devices connected to the BR-330AC-LP (up to 16 addresses).

**Note**

- The following MAC addresses cannot be used for this setting:
 - Broadcast address
 - Multicast address
 - The address composed of 12 zeros
 - Duplicated address (when operating in Multi-Client Mode)

4. When the confirmation message is displayed, click **Restart** to restart BR-330AC-LP.



5. The BR-330AC-LP will be restarted and the IEEE802.1X authentication will take effect.

The configuration has now been completed.

Turn off the BR-330AC-LP and connect it to the non-wireless device using a LAN cable. Refer to **4-3. Connecting Non-wireless Devices** for details.

5-3. Saving Log

BR-330AC-LP can save the operating log.

Once the log is saved, it can be retrieved or deleted from the Web configuration interface.

Types of Log

There are two types of log that can be saved by BR-330AC-LP.

Details of each log are as follows.

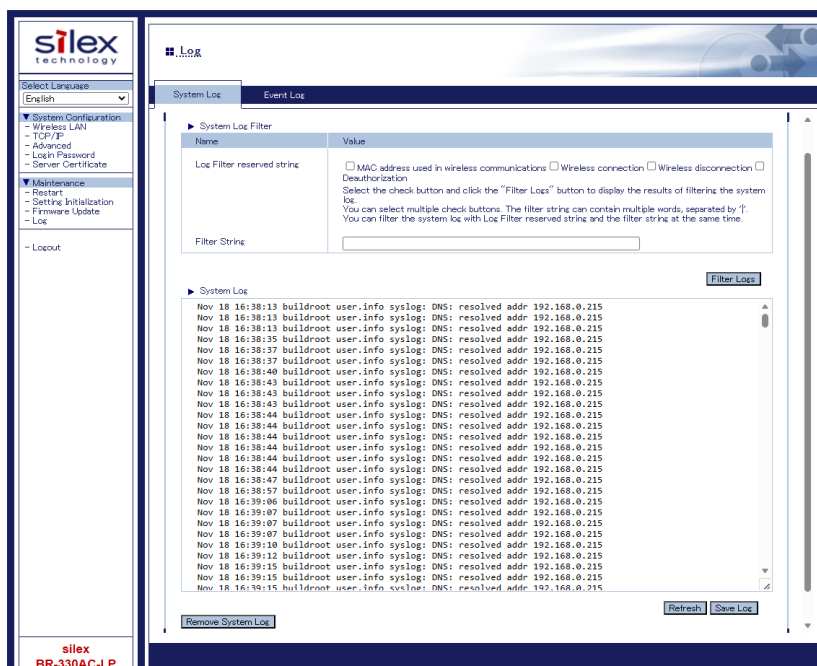
System Log

Power-on status, operating status, etc. of BR-330AC-LP are saved as a log file.

In case of a network trouble, you can check the operating status by referring the retrieved system logs.

The system log can be viewed or retrieved or deleted from the **System Log** page of Web configuration interface.

By using the log filter, only the specified log can be displayed.



When the system log is saved, the event log and the other files are generated that will include the operating status.

| File name | | Description |
|-----------|-------------------|--------------------------------------------|
| System | | Product information |
| Process | | Process information |
| Client | | Client list of the station bridge function |
| Meminfo | | Memory information |
| log | messages(.x) | system log |
| | event_log.txt(.x) | event log |



- The system log is saved into the "log" partition of flash memory.
- Each file is 1Mbyte, and 10 rotated files are saved. (Total 11 files (11Mbyte) are saved.)

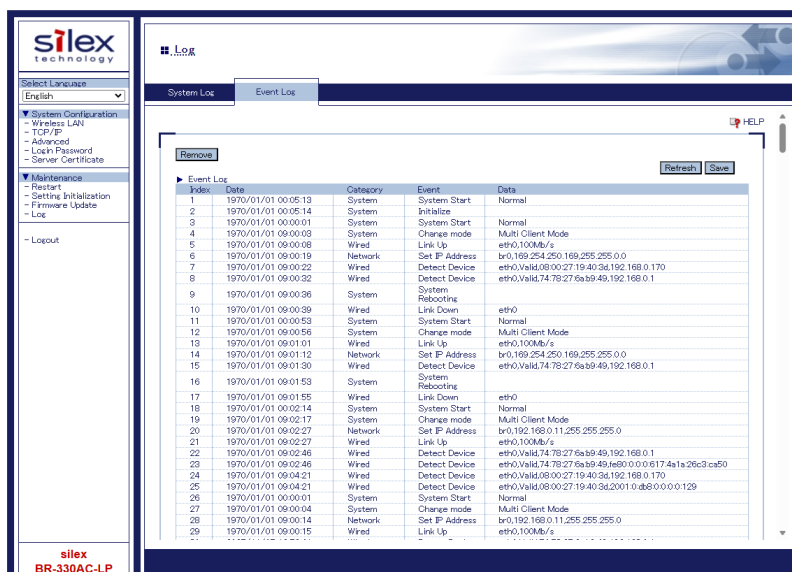
Note

Event Log

When a new event such as wireless connection/disconnection occurs, it is saved as a log file.

In case of a network trouble, you can check the wireless connection status by referring the retrieved event logs.

The event log can be viewed or retrieved or deleted from the **Event Log** page of the Web configuration interface.



The event log contains the following information items.

Events other than those listed in this table may also be notified.

| Category | Events | Added information | Description | |
|----------|---------------------|---------------------------------|-------------------------------------|------------------------------------------------------------------------------------------------------------------|
| System | System Start | | BR-330AC-LP started. | |
| | System Rebooting | | BR-330AC-LP restarted. | |
| | Update | Model Name, Version Information | Firmware update was executed. | |
| | Initialize | | Setting was initialized. | |
| | Change mode | Single Client Mode | | BR-330AC-LP operated in Single Client Mode. |
| | | Multi Client Mode | | BR-330AC-LP operated in Multi-Client Mode. |
| | | Setting Mode | | BR-330AC-LP operated in Configuration Mode. |
| | | Smart Wireless Setup | | Smart Wireless Setup was executed. |
| | | Kitting Mode | | BR-330AC-LP operated in kitting mode. |
| | | Find Ethernet Address | | When Single Client Mode is on, BR-330AC-LP started to detect the MAC address of the connected wired LAN devices. |
| Error | Wired LAN | | Wired LAN port error occurred. | |
| | Wireless LAN module | | Wireless LAN module error occurred. | |

| Category | Events | Added information | Description |
|----------------------|----------------------------|---------------------------------------------------------------------------------|------------------------------------------------------------------------------------------------------------------------------------------------------------------------------------------------------------------------------------------------|
| Network | Set IP Address | IF Name, IP Address, Subnet Mask | IP address was configured. |
| | Detect DHCP Event | IF Name, BOUND | IP address was assigned by the DHCP Client. |
| | | IF Name, EXPIRE | A lease period for DHCP Client was expired and the IP address was invalidated. |
| | | IF Name, IPV4LL | DHCP Client set a link-local address. |
| Set DNS Resolver | DNS Primary, DNS Secondary | DNS Resolver setting was updated. | |
| Wired | Link Up | IF Name, Link Speed | BR-330AC-LP connected to wired LAN. |
| | Link Down | IF Name | BR-330AC-LP disconnected from wired LAN. |
| | Detect Device | IF Name, Invalid, MAC address | Unregistered devices were detected. Single Client : Unregistered device (MAC address) was detected on wired LAN. Multi-Client : Device (MAC address) not registered to the MAC address filter of IEEE802.1X authentication was detected. |
| | | | IF Name, Adopt, MAC address |
| | | IF Name, Store, MAC address, IP address | Multi-Client : BR-330AC-LP set the detected MAC address of the wired LAN device to the address table. |
| | | IF Name, Valid, MAC address, IP address | Wired device was detected. |
| | | IF Name, Expired, MAC address, IP address | Wired LAN device information was lost when Multi-Client Mode is on. |
| Wireless (STA) | Link Up | IF Name, SSID, MAC address of wireless router, Channel, Radio Strength, Tx Rate | BR-330AC-LP connected to wireless LAN. |
| | Link Down | IF Name, MAC address of wireless router, Reason Code | BR-330AC-LP disconnected from wireless LAN. |
| | Deauthenticated | IF Name, Reason Code | Deauthenticated packet was received, and wireless connection was disconnected. |
| Smart Wireless Setup | Success | | Smart Wireless Setup finished successfully. |
| | Overlapped | | Smart Wireless Setup failed since multiple wireless routers were detected. |
| | Timeout | | Wireless router was not detected during Smart Wireless Setup. |



Note

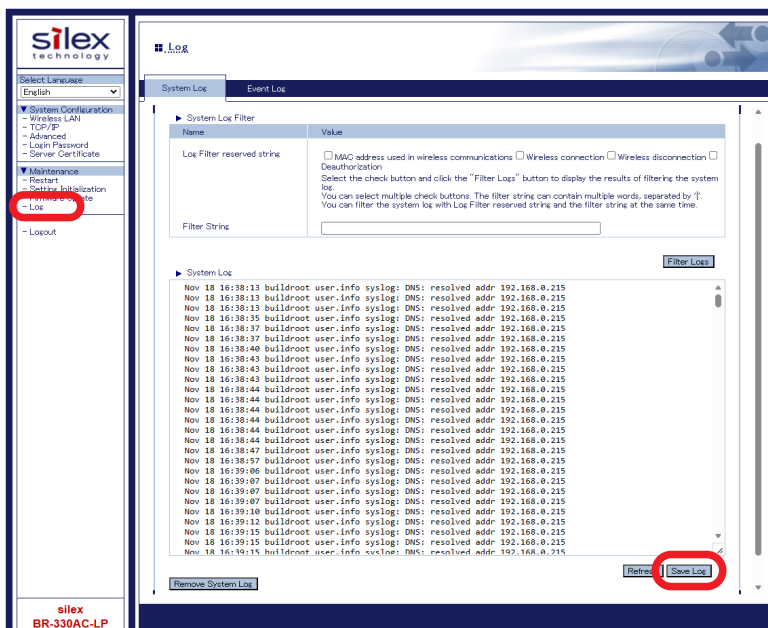
- The event log is saved into the "log" partition of flash memory.
- Each file is 1Mbyte, and only 1 rotated file is saved. (Total 2 files (2Mbyte) are saved.)

Retrieving/Deleting System Log

How to retrieve system log:

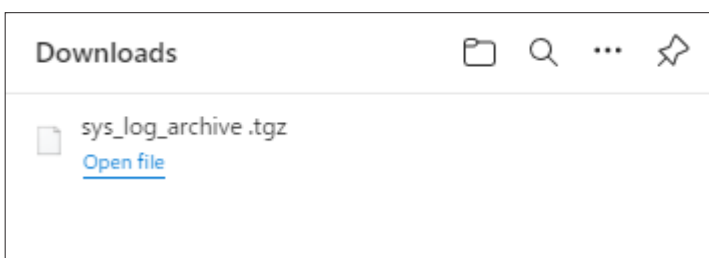
The system log saved on BR-330AC-LP can be accessed from the Web configuration interface.

1. The Web page of BR-330AC-LP is displayed.
Click **Log** and click **Save Log** to save all logs.



- The log files cannot be saved individually.

2. The message for compressed file of all system logs (sys_log_archive.tgz) appears.
Click **Open file** or "... " for the desired option.

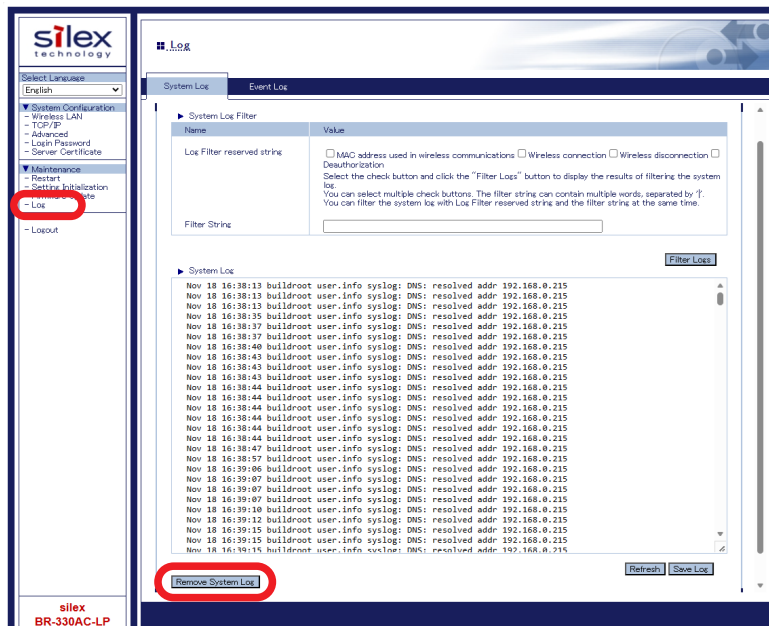


The system log has been saved.

How to delete system log:

The system log saved on BR-330AC-LP can be deleted from the Web configuration interface.

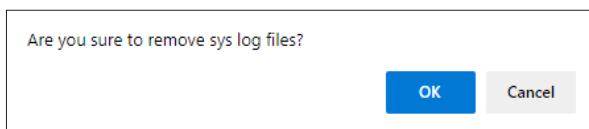
1. The Web page of BR-330AC-LP is displayed.
Click **Log** and click **Remove System Log**.



- The system log files cannot be deleted individually.

TIP

2. When the confirmation dialog is displayed, click **OK**.
All system logs are deleted.



Note

- If **Cancel** is clicked, the system log will not be deleted.

The system log has been deleted.

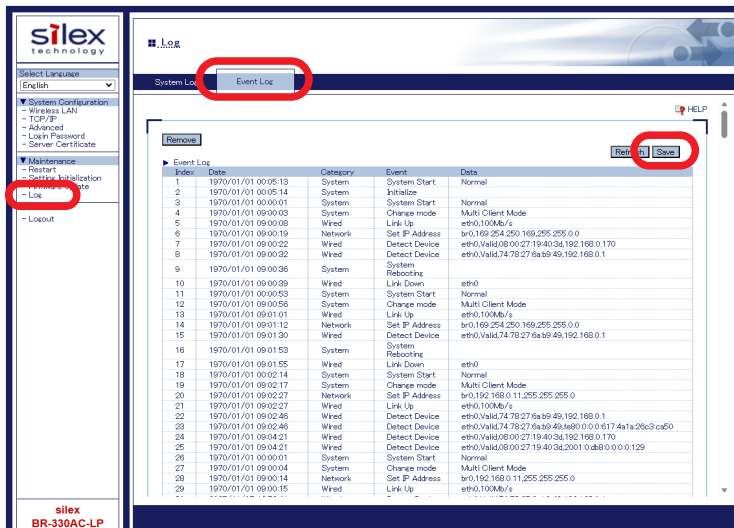
Retrieving/Deleting Event Log

How to retrieve the event log is explained.

The event log saved on BR-330AC-LP can be accessed from the Web configuration interface.

1. The Web page of BR-330AC-LP is displayed.

Click **Log - Event Log** and click **Save** to save all logs.



- The event log can only be saved to one file.

2. The message for event log file(eventlog.txt) appears.

Click **Open file** or **"..."** for the desired option.



The event log has been saved.

How to delete event log:

The event log saved on BR-330AC-LP can be deleted from the Web configuration interface.

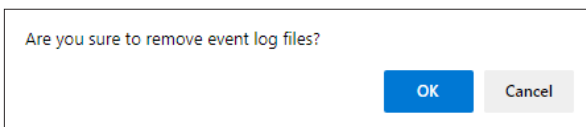
1. The Web page of BR-330AC-LP is displayed.
Click **Log - Event Log** and click **Remove**.



- The event log cannot be deleted individually.

TIP

2. When the confirmation dialog is displayed, click **OK**.
All event logs are deleted.



Note

- If Cancel is clicked, the event log will not be deleted.

The event log has been deleted.

Time Synchronization of Log

BR-330AC-LP has the NTP client function. The time of BR-330AC-LP can be synchronized with the NTP server to describe it on the system log and event log.

To configure the NTP setting, open the Web page of BR-330AC-LP and click **TCP/IP** from the menu. The setting can be configured at **NTP Configuration**.

The screenshot shows the Silex Technology web interface for the BR-330AC-LP device. The left sidebar contains a navigation menu with 'TCP/IP' highlighted. The main content area is titled 'TCP/IP Configuration' and contains three sections: 'General Configuration', 'TCP/IP Configuration', and 'NTP Configuration'. The 'NTP Configuration' section is highlighted with a red box and contains the following settings:

| Name | Value |
|-----------------|--------------|
| NTP | DISABLE |
| NTP Server | pool.ntp.org |
| Local Time Zone | +9:00 |



Note

- For details on the NTP setting, refer to **A-1. List of All Settings**.

5-4. Address Management Table

In **Multi-Client Mode**, up to 16 non-wireless devices can be shared over network by saving combination of MAC address and IP Address of such devices to BR-330AC-LP.

The combination information is saved automatically when BR-330AC-LP started communication with non-wireless devices, but if the address management table feature is used, it is possible to manually add or delete the combination information.

About Address Management Table Feature

How to register combination of MAC address and IP address will differ depending on whether the address management table feature is enabled or disabled (ON/OFF).

If this feature is ON, the management table information is used for the combination information (MAC address + IP address) of non-wireless devices to connect to BR-330AC-LP.

The addresses are automatically registered to the management table when the devices are added while BR-330AC-LP is active. When this function is OFF, the management table setting is not used.

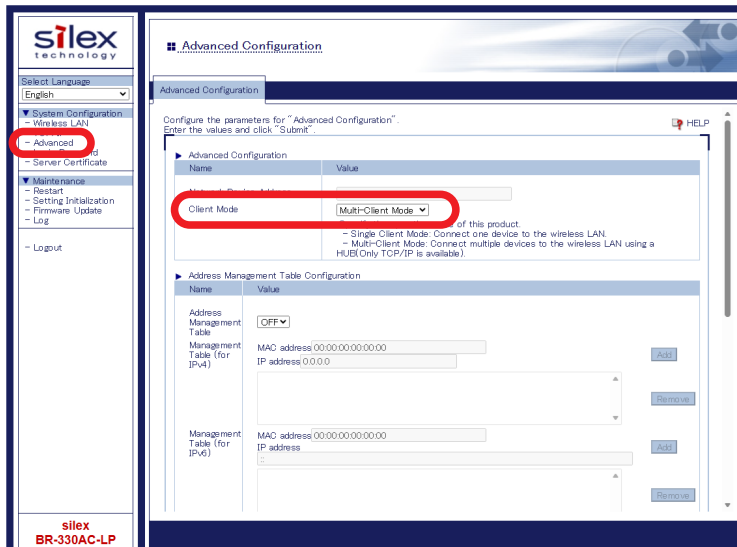


- Only unicast address is supported for MAC address and IP address.
- BR-330AC-LP checks the existence of device information to save at 5 sec interval. If BR-330AC-LP is turned off before the saving process is completed, the device information is not saved in the address management table.
- Up to 16 sets of combination information can be registered to the management table. If 16 sets of combination information are already registered, new one cannot be added. Delete unnecessary information then.

Registering Address to Management Table

Following explains how to register combination of MAC address and IP address to management tables (IPv4/IPv6).

1. In the Web configuration interface of the BR-330AC-LP, click **Advanced**.
Select **Multi-Client Mode** for **Client Mode**.

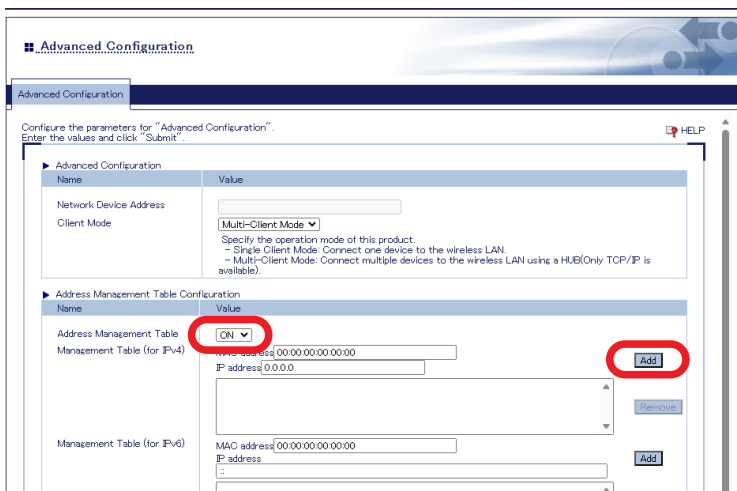


- For details on the address management table setting, refer to **A-1. List of All Settings**.

Note

2. Select **ON** for **Address Management Table**, enter the MAC address and IP address and click **Add**.

Repeat the same process to register LAN more sets of information.



- To register a combination of MAC address and IPv6 address, add it to **Management Table (for IPv6)**.

Note

3. The combination information is listed in the management table.
Click **Submit**.

The screenshot displays the 'Advanced Configuration' web interface. It features several configuration sections:

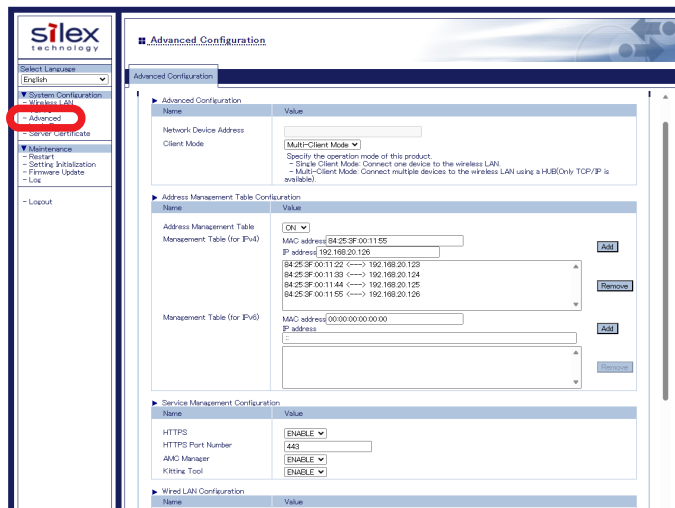
- Address Management Table Configuration:** A table with columns 'Name' and 'Value'. It includes sections for IPv4 and IPv6 management tables, each with MAC and IP address fields and an 'Add' button. A list of MAC-IP mappings is shown with a 'Remove' button.
- Service Management Configuration:** A table with 'Name' and 'Value' columns, containing settings for HTTPS (ENABLE), HTTPS Port Number (443), AMC Manager (ENABLE), and Kitting Tool (ENABLE).
- Wired LAN Configuration:** A table with 'Name' and 'Value' columns, showing Link Speed set to AUTO.
- Wireless LAN Configuration:** A table with 'Name' and 'Value' columns, showing Roaming Threshold set to 15.

At the bottom right of the interface, the **Submit** button is highlighted with a red circle.

Deleting Address from Management Table

Following explains how to delete combination of MAC address and IP address from management tables (IPv4/IPv6).

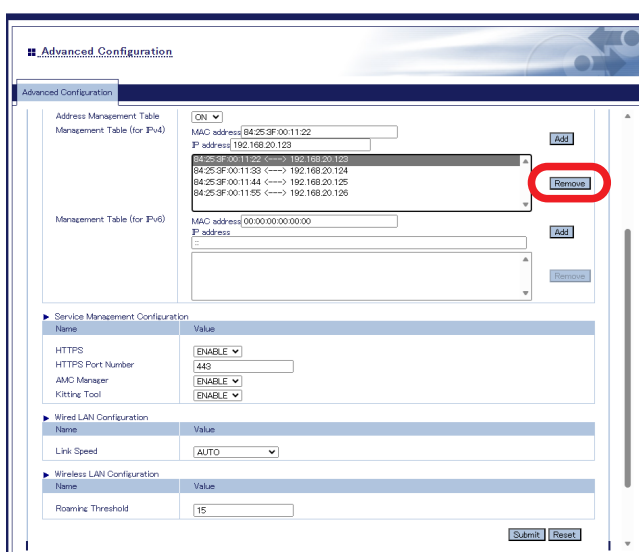
1. In the Web configuration interface of the BR-330AC-LP, click **Advanced**.



Note

- For details on the address management table setting, refer to **A-1. List of All Settings**.

2. At the address management table, select combination of MAC address and IP address from the list and click **Remove**. Repeat the same process to delete more sets of information.



Note

- To select multiple items, hold down the Ctrl key to select them.

- To remove a combination of MAC address and IPv6 address, click **Remove** at **Management Table (for IPv6)**.

3. Click **Submit**.

Advanced Configuration

Advanced Configuration

Address Management Table Configuration

| Name | Value |
|-----------------------------|---------------------------------------------------------------------------------------------------------------------------------------------------------------------------------------------------------------------------------------------------|
| Address Management Table | ON |
| Management Table (for IPv4) | MAC address: 84.25.3F.00.11.55 IP address: 192.168.20.126 Add 84.25.3F.00.11.22 <--> 192.168.20.123 84.25.3F.00.11.33 <--> 192.168.20.124 84.25.3F.00.11.44 <--> 192.168.20.125 84.25.3F.00.11.55 <--> 192.168.20.126 Remove |
| Management Table (for IPv6) | MAC address: 00:00:00:00:00:00 IP address: Add Remove |

Service Management Configuration

| Name | Value |
|-------------------|--------|
| HTTPS | ENABLE |
| HTTPS Port Number | 443 |
| AMC Manager | ENABLE |
| Kitting Tool | ENABLE |

Wired LAN Configuration

| Name | Value |
|------------|-------|
| Link Speed | AUTO |

Wireless LAN Configuration

| Name | Value |
|-------------------|-------|
| Roaming Threshold | 15 |

Submit | Reset

5-5. Communicating with a Wireless Router with Proxy ARP Function

If a wireless router with the Proxy ARP function exists in the network environment, BR-330AC-LP may not be able to communicate with non-wireless devices.

This is because, when communicating with such a router, one set of MAC address and IP address is needed, however, BR-330AC-LP allows both the non-wireless device and BR-330AC-LP itself to use different IP addresses for the same MAC address.

Even then, if BR-330AC-LP is used in Single Client Mode, enabling the IP Intercept function allows communication with the non-wireless device without having to change any settings of the wireless router.

Please note that if BR-330AC-LP is used in Multi-Client Mode, the Proxy ARP function of the wireless router must be disabled.

The following explains how to configure the IP Intercept function.

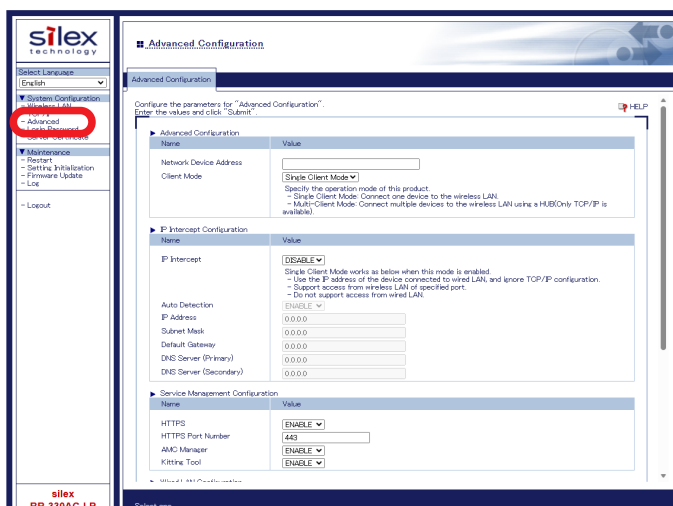


TIP

- When **IP Intercept** and **Auto Detection** are enabled, BR-330AC-LP cannot be accessed via wireless LAN until the IP address of the non-wireless device is detected.
- When **IP Intercept** is enabled, BR-330AC-LP uses the same IP address as the non-wireless device. Then, communication between the non-wireless device and BR-330AC-LP will become unavailable. Also, access to the BR-330AC-LP's Web page via the wired LAN will be disabled, however, it will be enabled if BR-330AC-LP is set to Configuration Mode.

IP Intercept Function

1. In the Web configuration interface of the BR-330AC-LP, click **Advanced**.



2. Select **ENABLE** for IP Intercept.

| IP Intercept Configuration | |
|----------------------------|-----------------------------------------------------------------------------------------------------------------------------------------------------------------------------------------------------------------------------------------------------------------|
| Name | Value |
| IP Intercept | DISABLE ▼ |
| | Single Client Mode works as below when this mode is enabled. - Use the IP address of the device connected to wired LAN, and ignore TCP/IP configuration. - Support access from wireless LAN of specified port. - Do not support access from wired LAN. |
| Auto Detection | ENABLE ▼ |
| IP Address | 0.0.0.0 |
| Subnet Mask | 0.0.0.0 |
| Default Gateway | 0.0.0.0 |
| DNS Server (Primary) | 0.0.0.0 |
| DNS Server (Secondary) | 0.0.0.0 |



Note

- The above settings are not displayed when **Client Mode** is **Multi-Client Mode**.

3. When the non-wireless device is set to obtain an IP address from a DHCP server, select **ENABLE** for **Auto Detection**.

| IP Intercept Configuration | |
|----------------------------|-----------------------------------------------------------------------------------------------------------------------------------------------------------------------------------------------------------------------------------------------------------------|
| Name | Value |
| IP Intercept | ENABLE ▼ |
| | Single Client Mode works as below when this mode is enabled. - Use the IP address of the device connected to wired LAN, and ignore TCP/IP configuration. - Support access from wireless LAN of specified port. - Do not support access from wired LAN. |
| Auto Detection | ENABLE ▼ |
| IP Address | 0.0.0.0 |
| Subnet Mask | 0.0.0.0 |
| Default Gateway | 0.0.0.0 |
| DNS Server (Primary) | 0.0.0.0 |
| DNS Server (Secondary) | 0.0.0.0 |



TIP

- If the non-wireless device is not set to obtain an IP address from a DHCP server, the **Auto Detection** setting must be disabled, and the same IP address information of the non-wireless device must be set to BR-330AC-LP as well. If this setting differs from that of the non-wireless device, the non-wireless device cannot be communicated via the wireless LAN.

4. Click **Submit**.

| | |
|---------------|-------|
| Submit | Reset |
|---------------|-------|

To access the BR-330AC-LP's Web page when **IP Intercept** is enabled, enter the following to the address bar of your Web browser.

- https:// IP address of non-wireless device



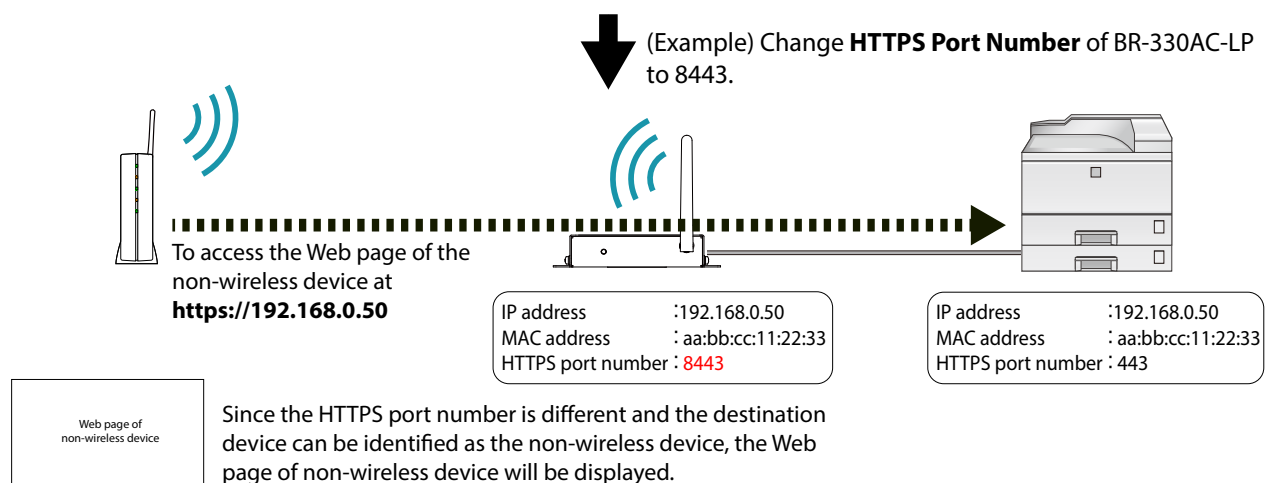
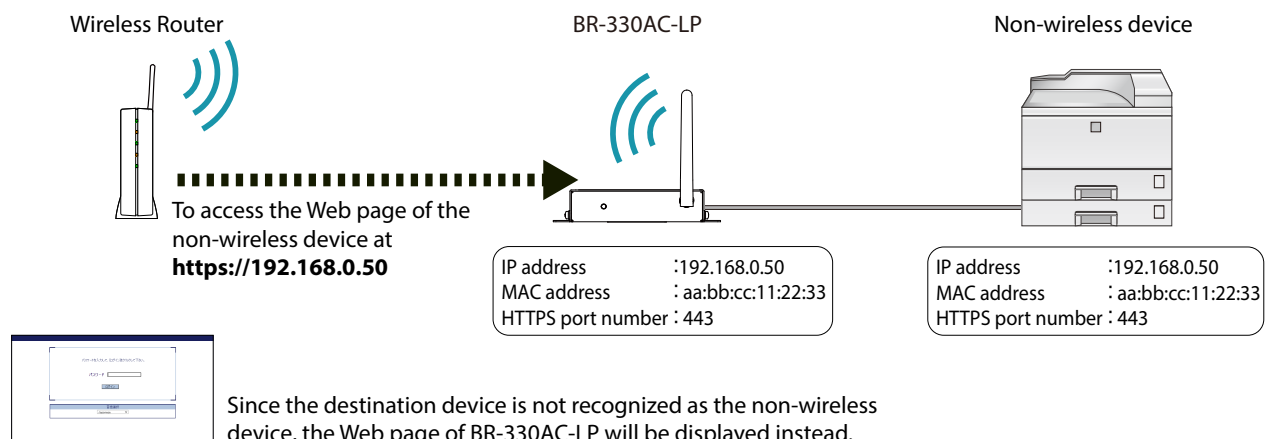
- When **Auto Detection** is disabled, enter the following:
- https:// the value set to **IP Address** of **IP Intercept Configuration**

Accessing Web Page of Non-wireless Device

When the IP Intercept function is enabled, the Web page of the non-wireless device cannot be accessed via the wireless LAN.

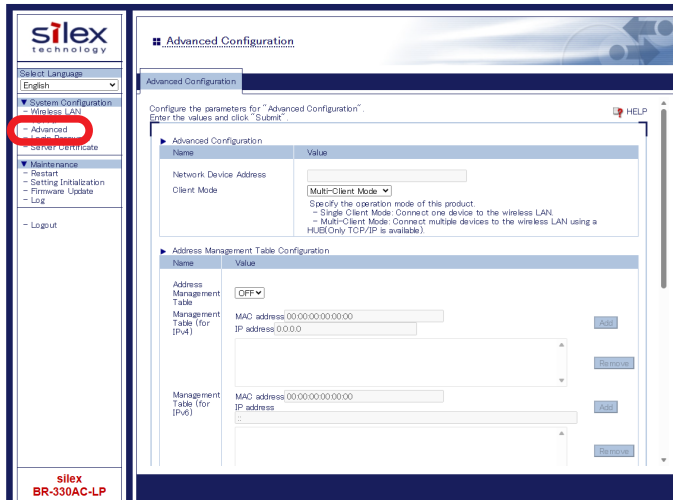
Since the MAC address, IP address, and HTTPS port number are identical between BR-330AC-LP and the non-wireless device, access to the Web page of the non-wireless device is taken as access to BR-330AC-LP itself.

However, if the HTTPS port number of BR-330AC-LP is changed in the Service Management Configuration, the Web pages of BR-330AC-LP and the non-wireless device can be accessed respectively.

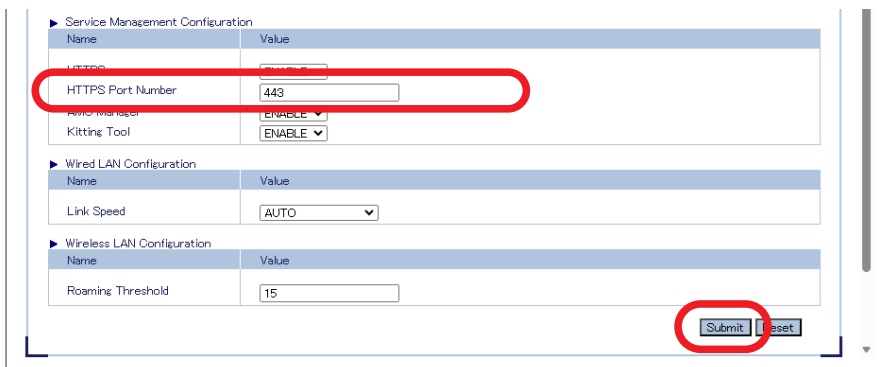


The following explains how to change the settings at Service Management Configuration.

1. In the Web configuration interface of the BR-330AC-LP, click **Advanced**.



2. Change the default values at **HTTPS Port Number** and click **Submit**.



TIP

- For **HTTPS Port Number**, set the value that does not conflict with any reserved port numbers or the port numbers in use by non-wireless devices.

To access the BR-330AC-LP's Web page when **HTTPS Port Number** is changed from the default value, enter the following to the address bar of your Web browser.

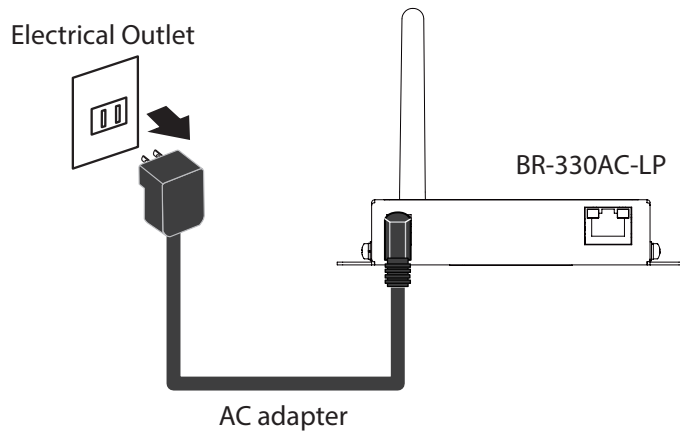
- https:// IP address of non-wireless device : HTTPS port number

5-6. Maintenance

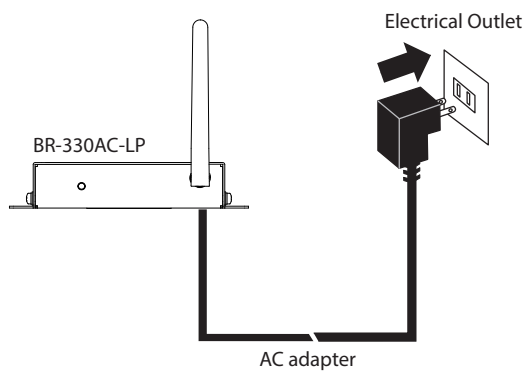
Restarting

How to restart BR-330AC-LP by unplugging the AC adapter:

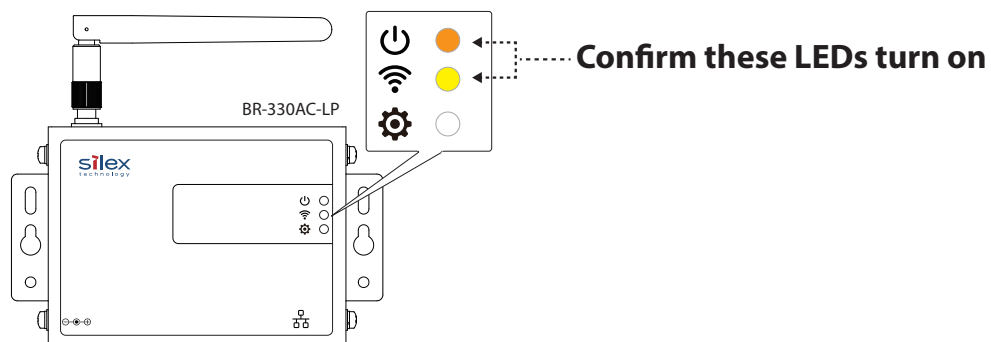
1. Unplug the AC adapter of BR-330AC-LP from the outlet.



2. Plug the AC adapter back into the outlet.

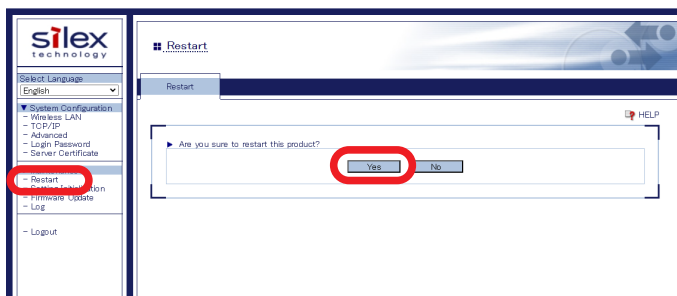


3. When the POWER LED and WLAN LED turn on, the restart is completed.

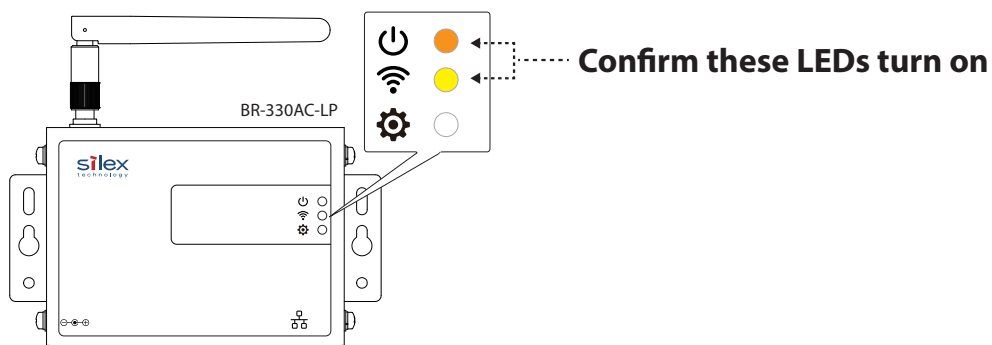


How to restart BR-330AC-LP using the Web configuration interface:

1. From the left menu on the Web configuration interface, click **Restart**.
In the page displayed, click **Yes**.



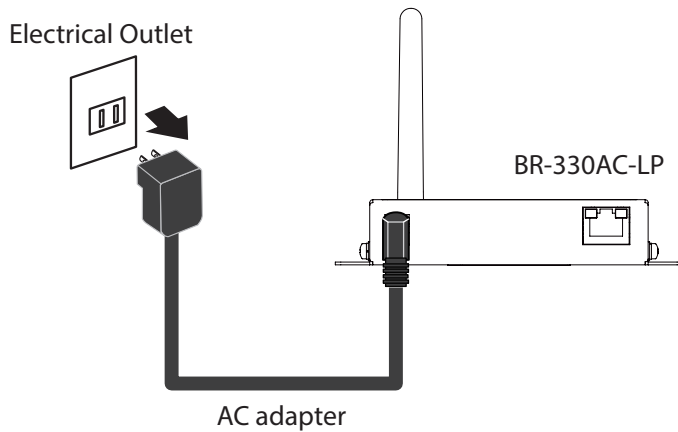
2. When the POWER LED and WLAN LED turn on, the restart is completed.
After the restart, the BR-330AC-LP will start in a normal mode.



Factory Default Configuration

How to reset BR-330AC-LP to factory defaults using the Push Switch:

1. Unplug the AC adaptor of BR-330AC-LP from the outlet.

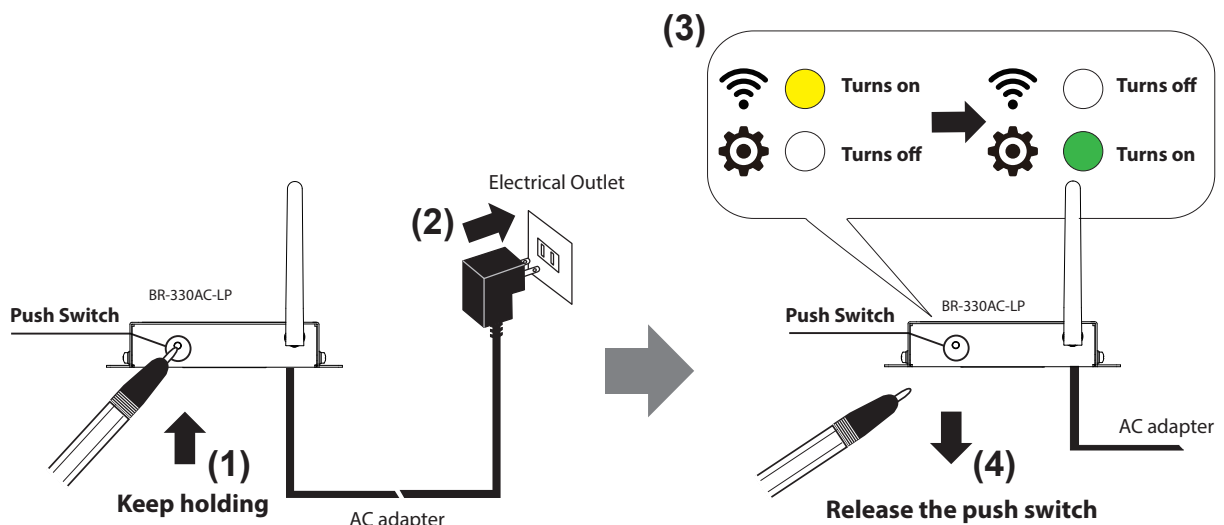


2. Press and hold the push switch on the top while inserting the AC adaptor back into the electrical outlet. Keep holding it.

When the WLAN LED turns off and STATUS LED turns on, release the push switch.

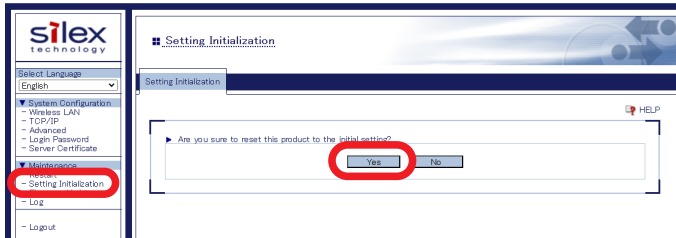
The factory default configuration begins.

When the POWER LED and WLAN LED turn on, the factory default configuration is completed. The BR-330AC-LP will start in a normal mode, then.

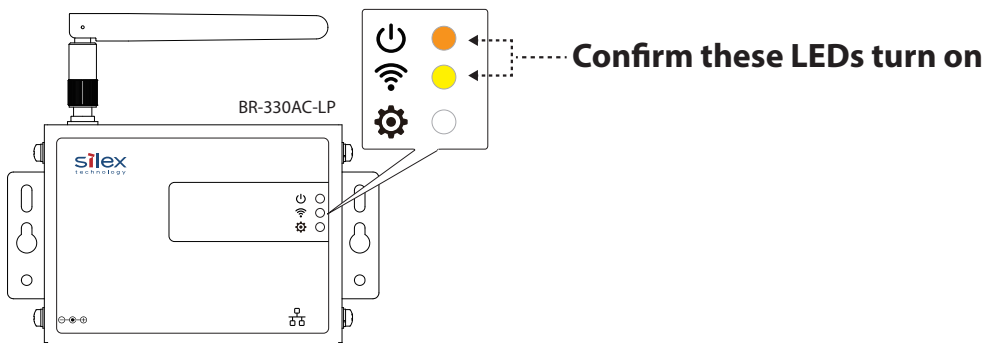


How to reset BR-330AC-LP to factory defaults using the Web configuration interface:

1. From the left menu on the Web page, click **Setting Initialization**.
In the page displayed, click **Yes**.



2. When the confirmation dialog is displayed, click **OK**.
The factory default configuration begins.
3. When the POWER LED and WLAN LED turn on, the factory default configuration is completed. The BR-330AC-LP will start in a normal mode, then.



Firmware Update

The latest firmware file can be downloaded from our website.

See the instructions below to download the firmware file. For how to upload the firmware file to BR-330AC-LP, refer to the firmware update procedure sheet file contained in the firmware file you download.



- The current firmware version can be identified at the bottom left of the Web configuration interface.

Note

How to download the firmware file:

1. Access our website below.

| URL | |
|--------------|-------------------------------------------------------------------------------|
| USA / Europe | https://www.silxtechnology.com/ |

2. Go to the support section and download the firmware file.

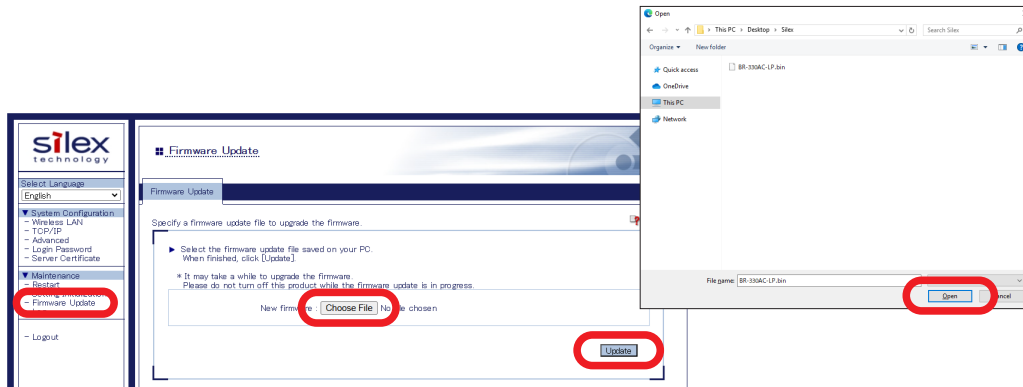
How to update the BR-330AC-LP's firmware:

1. From the left menu on the Web page, click **Firmware Update**.

In the page displayed, click the button to the right of **New firmware**.

In the file selection dialog, select a new firmware file you have downloaded (BR-330AC-LP.bin), and click **Open**.

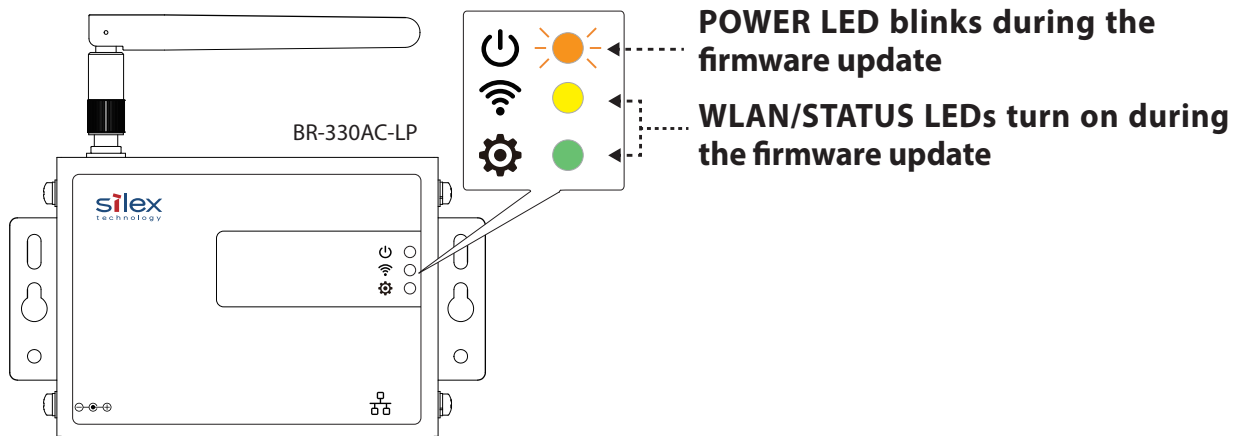
Check that the specified firmware file is displayed at **New firmware**, and click **Update**.



2. When the confirmation dialog is displayed, click **OK**.

The firmware update begins.

3. When the firmware update is in progress, the POWER LED blinks while the WLAN LED and STATUS LED turn on.



- Do not turn off BR-330AC-LP or close the Web browser while the firmware update is in progress.

TIP

4. When the LED light pattern is changed, the firmware update is complete.

A. Appendix

A-1. List of All Settings

The BR-330AC-LP has the following configuration items:

| Wireless LAN - Easy Configuration | |
|-----------------------------------|-------------------------------------------------------------------------------------------------------------------------------------------------------------------------------------------------------------------------------------------------------------------------------------------------|
| Select a wireless network. | |
| Details | Select the SSID of the wireless router (or other wireless devices) to connect from Wireless Network List . |
| Range | Wireless router of the wireless network to connect |
| Default Value | (None) |
| Enter the Network Key. | |
| Details | Enter the WEP Key or Pre-Shared Key of the wireless network for Network Key . |
| Range | WEP Key or Pre-Shared key |
| Default Value | (None) |
| Note | For network key, usable characters will differ depending on the wireless router to connect. For details on WEP key, refer to WEP Key 1-4 at A-1. List of All Settings . For details on Pre-Shared key, refer to Pre-Shared Key at A-1. List of All Settings . |

Wireless LAN - Detailed Configuration - Wireless LAN Basic Configuration

Wireless Standard

| | |
|---------------|----------------------------------------------------------------------|
| Details | Select the wireless standard. |
| Range | AUTO / 2.4GHz / 5GHz |
| Default Value | AUTO |
| Note | Wireless router of the selected wireless standard will be connected. |

SSID

| | |
|---------------|---------------------------------------------------------------------------------------------------------------------------------------------------------------------------------------|
| Details | Set the SSID to connect to the wireless network (up to 32 characters). |
| Range | 1 - 32 characters |
| Default Value | Silex |
| Note | The SSID is an ID that distinguishes a wireless LAN network from others. For wireless devices to communicate with each other on a wireless network, they must share the same SSID. |

Network Authentication

| | |
|---------------|----------------------------------------------------------------------------------|
| Details | Select the network authentication mode for a wireless LAN. |
| Range | Open / WPA2-Personal / WPA/WPA2-Personal / WPA2-Enterprise / WPA/WPA2-Enterprise |
| Default Value | Open |

The following items are displayed when **Network Authentication** is **Open**.

- Wireless LAN - Detailed Configuration - WEP Configuration

| Wireless LAN - Detailed Configuration - WEP Configuration | |
|-----------------------------------------------------------|--------------------------------------------------------------------------------------------------------------------------------------------------------------------------------------------------------------------------------------------------------------------------------------------------------------------------------------------------------------------------------------------------------------|
| WEP | |
| Details | Enable/Disable the WEP encryption. If WEP encryption is used, wireless communication will be encrypted using the settings for " WEP Key 1-4 " and " Key Index ". |
| Range | ON/OFF |
| Default Value | OFF |
| Note | If encryption is not enabled, data is not encrypted and is sent as is. To ensure higher security, enabling encryption is recommended. When WEP encryption is used, IEEE802.11n/ac cannot be used for communication. |
| Key Index | |
| Details | Select the number of the WEP key to use for encryption (1-4). This setting must be the same as that of your wireless device. |
| Range | 1 - 4 |
| Default Value | 1 |
| WEP Key1-4 | |
| Details | Set the WEP key for WEP encryption. Up to 4 WEP keys can be set. This setting must be the same as that of your wireless devices. A WEP key must be entered using hexadecimal or alphanumeric characters. |
| Range | 5 or 13 characters 10 or 26 digit hexadecimal value |
| Default Value | (None) |
| Note | In most cases, alphanumeric characters are used. Enter 5 characters if the key size is 64bit or 13 characters if the key size is 128bit. For Hexadecimal, a value consists of numbers (0-9) and English letters (A-F). Enter a 10-digit value if the key size is 64bit or a 26-digit value if the key size is 128bit. Usable characters will differ depending on the wireless router to connect. |

The following items are displayed when **Network Authentication** is **WPA2-Personal**.

- Wireless LAN - Detailed Configuration - Wireless LAN Basic Configuration
- Wireless LAN - Detailed Configuration - WPA/WPA2 Personal Configuration

Wireless LAN - Detailed Configuration - Wireless LAN Basic Configuration

Encryption Mode

| | |
|---------------|-----------------------------|
| Details | Select the encryption mode. |
| Range | AES |
| Default Value | AES |

IEEE802.11r Fast Transition

| | |
|---------------|----------------------------------------------------------------------------------------------------------------------------------------------------------------------------------------------------------------------------------------------------------------------------------------------------------------------------------------------|
| Details | <p>Enable/Disable the IEEE802.11r Over-the-Air FT (Fast Basic Service Set Transition) function.</p> <p>When this function is enabled, a process of key exchange with the destination wireless router can be simplified at a time of roaming, by sharing the key information with another wireless router on the same network beforehand.</p> |
| Range | ENABLE/DISABLE |
| Default Value | DISABLE |
| Note | <p>The following functions are not supported.</p> <ul style="list-style-type: none"> - Over-the-DS FT - FT Resource Request protocol <p>A time of roaming may take longer depending on the combination with other settings of BR-330AC-LP.</p> |

Wireless LAN - Detailed Configuration - WPA/WPA2 Personal Configuration

Pre-Shared Key

| | |
|---------------|--------------------------------------------------------------------------------------------------------------------------------------------------------------------------------------------------------------------------------------------------------------------------------------------------------------------------|
| Details | <p>Set the Pre-Shared Key to use for encryption.</p> <p>The Pre-Shared Key is a keyword used to create the encryption key. It is also referred to as 'network key' or 'password'.</p> |
| Range | <p>8-63 alphanumeric characters</p> <p>* Hexadecimal string for 64 characters</p> |
| Default Value | 12345678 |
| Note | <p>In most case, alphanumeric characters are used (8-63 characters).</p> <p>For Hexadecimal, a value consists of numbers (0-9) and English letters (A-F).</p> <p>* This setting must be the same as that of your wireless devices.</p> <p>Usable characters will differ depending on the wireless router to connect.</p> |

The following items are displayed when **Network Authentication** is **WPA/WPA2-Personal**.

- Wireless LAN - Detailed Configuration - Wireless LAN Basic Configuration
- Wireless LAN - Detailed Configuration - WPA/WPA2 Personal Configuration

Wireless LAN - Detailed Configuration - Wireless LAN Basic Configuration

Encryption Mode

| | |
|---------------|-----------------------------|
| Details | Select the encryption mode. |
| Range | AUTO |
| Default Value | AUTO |

Wireless LAN - Detailed Configuration - WPA/WPA2 Personal Configuration

Pre-Shared Key

| | |
|---------------|-------------------------------------------------------------------------------------------------------------------------------------------------------------------------------------------------------------------------------------------------------------------------------------------------------|
| Details | Set the Pre-Shared Key to use for encryption. The Pre-Shared Key is a keyword used to create the encryption key. It is also referred to as 'network key' or 'password'. |
| Range | 8-63 alphanumeric characters * Hexadecimal string for 64 characters |
| Default Value | 12345678 |
| Note | In most case, alphanumeric characters are used (8-63 characters). For Hexadecimal, a value consists of numbers (0-9) and English letters (A-F). * This setting must be the same as that of your wireless devices. Usable characters will differ depending on the wireless router to connect. |

The following items are displayed when **Network Authentication** is **WPA2-Enterprise**.

- Wireless LAN - Detailed Configuration - Wireless LAN Basic Configuration

Wireless LAN - Detailed Configuration - Wireless LAN Basic Configuration

| Encryption Mode | |
|-----------------------------|------------------------------------------------------------------------------------------------------------------------------------------------------------------------------------------------------------------------------------------------------------------------------------------------------------------------------------------------------------------------------------------------------------------------------------|
| Details | Select the encryption mode. |
| Range | AES |
| Default Value | AES |
| IEEE802.11r Fast Transition | |
| Details | This setting is displayed when the Authentication Method is EAP-TLS / EAP-TTLS/ PEAP . Enable/Disable the IEEE802.11r Over-the-Air FT (Fast Basic Service Set Transition) function. When this function is enabled, a process of key exchange with the destination wireless router can be simplified at a time of roaming, by sharing the key information with another wireless router on the same network beforehand. |
| Range | ENABLE/DISABLE |
| Default Value | DISABLE |
| Note | The following functions are not supported. - Over-the-DS FT - FT Resource Request protocol A time of roaming may take longer depending on the combination with other settings of BR-330AC-LP. |

The following items are displayed when **Network Authentication** is **WPA/WPA2-Enterprise**.

- Wireless LAN - Detailed Configuration - Wireless LAN Basic Configuration

Wireless LAN - Detailed Configuration - Wireless LAN Basic Configuration

| Encryption Mode | |
|-----------------|-----------------------------|
| Details | Select the encryption mode. |
| Range | AUTO |
| Default Value | AUTO |

The following items are displayed when **Network Authentication** is **WPA2-Enterprise** or **WPA/WPA2-Enterprise**.

- Wireless LAN - Detailed Configuration - WPA/WPA2 Enterprise Configuration
- Wireless LAN - Detailed Configuration - Certificate Registration Status
- Wireless LAN - Detailed Configuration - IEEE802.1X Network Device Configuration

Wireless LAN - Detailed Configuration - WPA/WPA2 Enterprise Configuration

Authentication Method

| | |
|---------------|---------------------------------------------------------------------------------------------------------------------------------------------------------------------------------------------------------------------------------------------------------------------------------------------------------------------------------------------------------------------------------------------------------------------------------------------------------------------------------------------------------------------------------------------------------------------------------------------------------------------------------|
| Details | Select the authentication mode. |
| Range | EAP-TLS / EAP-TTLS / PEAP / EAP-FAST / LEAP |
| Default Value | EAP-TLS |
| Note | <p>EAP-TLS Provides two-way authentication between the client and RADIUS server using a certificate.</p> <p>EAP-TTLS, PEAP This is the authentication method using EAP-TLS, providing the client authentication using a user name / password.</p> <p>EAP-FAST In this authentication, the authentication process is tunneled by the PAC (Protected Access Credential) which is issued from the RADIUS server.</p> <p>LEAP One kind of EAP protocols used for PPP authentication. The authentication performs using a user name / password between the RADIUS server and client.</p> |

EAP User Name

| | |
|---------------|---------------------------------------------------|
| Details | Set the ID for the server to identify the client. |
| Range | 1 - 64 characters |
| Default Value | (None) |

EAP Password

| | |
|---------------|-----------------------------------------------------------------------------------------------------------------------------------------------------------------------------|
| Details | <p>This setting is displayed when the Authentication Method is EAP-TTLS / PEAP / EAP-FAST / LEAP.</p> <p>Set the password for the server to identify the client.</p> |
| Range | 1 - 32 characters |
| Default Value | (None) |

Client Certificate Password

| | |
|---------------|--------------------------------------------------------------------------------------------------------------------------------------------------------------------------------------------------------------------------------------------------|
| Details | <p>This setting is displayed when the Authentication Method is EAP-TLS.</p> <p>Set a client certificate password to use for client authentication.</p> <p>This setting is necessary when a password is set to the client certificate.</p> |
| Range | 0 - 32 characters |
| Default Value | (None) |

| Client Certification | |
|-----------------------------|-------------------------------------------------------------------------------------------------------------------------------------------------------------------------------------------------------------------------------------------|
| Details | This setting is displayed when the Authentication Method is EAP-TLS . Select a client certificate to use for client authentication. |
| Range | A certificate file used to authenticate BR-330AC-LP |
| Inner Authentication Method | |
| Details | This setting is displayed when the Authentication Method is EAP-TTLS / PEAP . Select the authentication protocol to use. When the Authentication Method is PEAP, the setting is fixed to MSCHAPv2. |
| Range | PAP / CHAP / MSCHAP / MSCHAPv2 |
| Default Value | PAP (for EAP-TTLS) |
| Server Authentication | |
| Details | This setting is displayed when the Authentication Method is EAP-TLS / EAP-TTLS / PEAP . Set whether to verify the server reliability. When ON is selected, CA Certificate for server authentication is required. |
| Range | ON / OFF |
| Default Value | OFF |
| CA Certificate | |
| Details | This setting is displayed when the Authentication Method is EAP-TLS / EAP-TTLS / PEAP and the Server Authentication is ON . Select a CA certificate to use for server authentication. |
| Range | CA certificate to use for server authentication |
| Auto PAC Provisioning | |
| Details | This setting is displayed when the Authentication Method is EAP-FAST . Enable/Disable the automatic distribution of the PAC (Protected Access Credential). |
| Range | ON / OFF |
| Default Value | OFF |
| Note | When OFF is selected, the PAC file generated by the server will need to be registered. |
| PAC File Distribution | |
| Details | This setting is displayed when the Authentication Method is EAP-FAST and Auto PAC Provisioning is OFF . Register the PAC file issued from the server to use for manual distribution of PAC (Protected Access Credential) |
| Range | The PAC file issued from the server to use for manual distribution of PAC (Protected Access Credential) |

| PAC Password | |
|---------------|----------------------------------------------------------------------------------------------------------------------------------------------------------------------------------------|
| Details | This setting is displayed when the Authentication Method is EAP-FAST and Auto PAC Provisioning is OFF . Set a password to parse the PAC file generated by the server. |
| Range | 0 - 63 characters |
| Default Value | (None) |

Wireless LAN - Detailed Configuration - Certificate Registration Status

| Client Certification | |
|----------------------|--------------------------------------------------------------------------------------------------------------|
| Details | When the client certificate is registered, the issuer and the valid period of the certificate are displayed. |
| Default Value | Not Registered |

| CA Certificate | |
|----------------|----------------------------------------------------------------------------------------------------------|
| Details | When the CA certificate is registered, the issuer and the valid period of the certificate are displayed. |
| Default Value | Not Registered |

| PAC File Distribution | |
|-----------------------|-------------------------------------------------------------|
| Details | When the PAC file is registered, 'Registered' is displayed. |
| Default Value | Not Registered |

Wireless LAN - Detailed Configuration - IEEE802.1X Network Device Configuration

| Device Filter | |
|---------------|----------------------------------------------------------------------------------------------------------------------------------------------------------------------------------------------------------------------------------------|
| Details | Enable/Disable filtering for the devices registered to the network device address. |
| Range | ON / OFF |
| Default Value | ON |
| Note | If the device filter is disabled, communication will be bridged even for devices not registered to the network device address. The device authentication (one security feature of IEEE802.1X authentication) will not be assured then. |

| Client Mode | |
|---------------|----------------------------------------|
| Details | Set the operating mode. |
| Range | Single Client Mode / Multi-Client Mode |
| Default Value | Multi-Client Mode |

Network Device Address

| | |
|---------------|-------------------------------------------------------------------------------------------------------------------------------------------------------------------------------------------------------------|
| Details | This setting can be configured when the Device Filter setting is ON . Register the MAC address of devices to be connected to LAN port of the BR-330AC-LP when the IEEE802.1X authentication is used. |
| Range | MAC address (in Multi-Client Mode , up to 16 addresses can be registered) |
| Default Value | (None) |
| Note | One MAC Address can be registered for Single Client Mode while 16 MAC Addresses can be registered for Multi-Client Mode . |

Wireless LAN - Smart Wireless Setup - Smart Wireless Setup Execute

PIN Code

| | |
|---------------|--------------------------------------------------------------|
| Details | The PIN code of BR-330AC-LP is displayed. |
| Range | The value is automatically generated by clicking the button. |
| Default Value | Automatically generated |

Smart Wireless Setup Execute

| | |
|---------------|-------------------------------------------------------------|
| Details | Execute the wireless configuration by Smart Wireless Setup. |
| Range | (Smart Wireless Setup Execute button) |
| Default Value | - |

TCP/IP - TCP/IP Configuration - General Configuration

Host Name

| | |
|---------------|--------------------------------------------------------------------------------------------------------|
| Details | Set the host name. Be sure to use a unique name that is not used by other devices. |
| Range | 1-32 characters * The following symbols and spaces cannot be used. `~!@#\$%^&*()=+[]{} ;:","<>/? |
| Default Value | BR330ACLP-xxxxxxx (xxxxxxx is the last 6 digits on MAC address.) |

The following items cannot be configured when **IP Intercept** is **ENABLE**.

- TCP/IP - TCP/IP Configuration - TCP/IP Configuration

TCP/IP - TCP/IP Configuration - TCP/IP Configuration

DHCP Client

| | |
|---------------|------------------------------------------------------------------------------------------------------------------------------|
| Details | Enable/Disable the DHCP protocol. To assign an IP address using DHCP, the DHCP server must be running in your subnetwork. |
| Range | ENABLE/DISABLE |
| Default Value | ENABLE |

IP Address

| | |
|---------------|----------------------------------------------------------------------------------------------------------------------------------------|
| Details | Set the IP address. If the DHCP is enabled on your network, the IP Address obtained from it will be applied. |
| Range | 0.0.0.0 - 255.255.255.255 * The following IP addresses cannot be used for this setting. x.x.x.255 224.0.0.0 - 239.255.255.255 |
| Default Value | 0.0.0.0 |

Subnet Mask

| | |
|---------------|-------------------------------------------------------------------------------------------------------------------|
| Details | Set the subnet mask. If the DHCP is enabled on your network, the Subnet Mask obtained from it will be applied. |
| Range | 0.0.0.0 - 255.255.255.255 |
| Default Value | 0.0.0.0 |
| Note | When set to "0.0.0.0", a subnet mask appropriate for the IP address is automatically assigned. |

Default Gateway

| | |
|---------------|----------------------------------------------------------------------------------------------------------------------------------------------------------------------------|
| Details | Set the gateway address. If "0.0.0.0" is set, this setting is disabled. When the DHCP is enabled on your network, the Default Gateway obtained from it will be applied. |
| Range | 0.0.0.0 - 255.255.255.255 * The following IP addresses cannot be used for this setting. x.x.x.255 224.0.0.0 - 239.255.255.255 |
| Default Value | 0.0.0.0 |

| DNS Server (Primary) | |
|----------------------|----------------------------------------------------------------------------------------------------------------------------------------|
| Details | Set the DNS server (primary) address. When the DHCP is enabled, the obtained DNS server address will be applied. |
| Range | 0.0.0.0 - 255.255.255.255 * The following IP addresses cannot be used for this setting. x.x.x.255 224.0.0.0 - 239.255.255.255 |
| Default Value | 0.0.0.0 |

| DNS Server (Secondary) | |
|------------------------|----------------------------------------------------------------------------------------------------------------------------------------|
| Details | Set the DNS server (secondary) address. When the DHCP is enabled, the obtained DNS server address will be applied. |
| Range | 0.0.0.0 - 255.255.255.255 * The following IP addresses cannot be used for this setting. x.x.x.255 224.0.0.0 - 239.255.255.255 |
| Default Value | 0.0.0.0 |

| TCP/IP - TCP/IP Configuration - NTP Configuration | |
|---------------------------------------------------|-------------------------------------------------------------------------------------------------------------------------------------------------------------------|
| NTP | |
| Details | Enable/Disable the NTP protocol. |
| Range | ENABLE/DISABLE |
| Default Value | DISABLE |
| NTP Server | |
| Details | This setting can be configured when the NTP setting is ENABLE . Set the domain name for NTP server. When this is not set, the NTP function is disabled. |
| Range | 1-128 characters |
| Default Value | pool.ntp.org |
| Local Time Zone | |
| Details | Set the local time zone. |
| Range | -12:00 - +12:00 |
| Default Value | +9:00 |

| Advanced - Advanced Configuration - Advanced Configuration | |
|------------------------------------------------------------|---------------------------------------------------------------------------------------------------------------------------------------------------------------------------------------------------------------------------------------------------------------------------------------------------------------------------------------------------------------------------------------------|
| Network Device Address | |
| Details | This setting can be entered when the Client Mode is Single Client Mode . This is the function to identify the devices connected to the wired LAN port of BR-330AC-LP. Only devices with the registered MAC address are allowed to access. |
| Range | MAC Address |
| Default Value | (None) |
| Note | When the MAC address is not registered, this function is disabled. |
| Client Mode | |
| Details | Set the operating mode. |
| Range | Single Client Mode / Multi-Client Mode |
| Default Value | Multi-Client Mode |
| Note | Select Single Client Mode to bridge only one device connected to a LAN port of the BR-330AC-LP. In Single Client Mode , not only TCP/IP but various communication protocols can be used. Select Multi-Client Mode to bridge several devices using a HUB on the LAN port of BR-330AC-LP. In Multi-Client Mode , only ARP, IPv4 and IPv6 protocol can be used. |

The following items are displayed when **Client Mode** is **Single Client Mode**.

- Advanced - Advanced Configuration - IP Intercept Configuration

Advanced - Advanced Configuration - IP Intercept Configuration

IP Intercept

| | |
|---------------|-------------------------------------------------------------------------------------------------------------------------------------------------------------------------------------------------------------------------------------------------------------------------------------------------------------------------------------------------------------------------------------------------------------------|
| Details | <p>Enable/Disable the IP Intercept function.</p> <p>When there is a wireless router with a Proxy ARP function, communication may not be established with non-wireless devices. By enabling this function and setting the same IP address as the non-wireless device, communication can be established.</p> <p>For details, refer to 5-5. Communicating with a Wireless Router with Proxy ARP Function.</p> |
| Range | ENABLE/DISABLE |
| Default Value | DISABLE |

Auto Detection

| | |
|---------------|--------------------------------------------------------------------------------------------------------------------------------------------------------------------------------------------------------------------------------------------------------------------------------------------------------------------------------------------------------------------------------------------|
| Details | <p>This setting can be configured when the IP intercept function is enabled.</p> <p>If this function is enabled, IP address information of the connected non-wireless device will automatically be detected and be used to configure BR-330AC-LP. A DHCP server must be running on network and the non-wireless device must be set to obtain an IP address from the DHCP server, then.</p> |
| Range | ENABLE/DISABLE |
| Default Value | ENABLE |

IP Address

| | |
|---------------|-----------------------------------------------------------------------------------------------------------------------------------------------------------|
| Details | Set an IP address of the non-wireless device connected to BR-330AC-LP to use when Auto Detection is DISABLE . |
| Range | <p>0.0.0.0 - 255.255.255.255</p> <p>* The following IP addresses cannot be used for this setting.</p> <p>x.x.x.255</p> <p>224.0.0.0 - 239.255.255.255</p> |
| Default Value | 0.0.0.0 |
| Note | This is a different setting from IP Address of the TCP/IP Configuration page. |

Subnet Mask

| | |
|---------------|-----------------------------------------------------------------------------------------------------------------------------|
| Details | Set a subnet mask of the non-wireless device connected to BR-330AC-LP to use when Auto Detection is DISABLE . |
| Range | 0.0.0.0 - 255.255.255.255 |
| Default Value | 0.0.0.0 |
| Note | This is a different setting from Subnet Mask of the TCP/IP Configuration page. |

| Default Gateway | |
|------------------------|----------------------------------------------------------------------------------------------------------------------------------------------|
| Details | Set a default gateway of the non-wireless device connected to BR-330AC-LP to use when Auto Detection is DISABLE . |
| Range | 0.0.0.0 - 255.255.255.255 * The following IP addresses cannot be used for this setting. x.x.x.255 224.0.0.0 - 239.255.255.255 |
| Default Value | 0.0.0.0 |
| Note | This is a different setting from Default Gateway of the TCP/IP Configuration page. |
| DNS Server (Primary) | |
| Details | Set a DNS server (primary) address of the non-wireless device connected to BR-330AC-LP to use when Auto Detection is DISABLE . |
| Range | 0.0.0.0 - 255.255.255.255 |
| Default Value | 0.0.0.0 * The following IP addresses cannot be used for this setting. x.x.x.255 224.0.0.0 - 239.255.255.255 |
| Note | This is a different setting from DNS Server (Primary) of the TCP/IP Configuration page. |
| DNS Server (Secondary) | |
| Details | Set a DNS server (secondary) of the non-wireless device connected to BR-330AC-LP to use when Auto Detection is DISABLE . |
| Range | 0.0.0.0 - 255.255.255.255 |
| Default Value | 0.0.0.0 * The following IP addresses cannot be used for this setting. x.x.x.255 224.0.0.0 - 239.255.255.255 |
| Note | This is a different setting from DNS Server (Secondary) of the TCP/IP Configuration page. |

The following items are displayed when **Client Mode** is **Multi-Client Mode**.

- Advanced - Advanced Configuration - Address Management Table Configuration

| Advanced - Advanced Configuration - Address Management Table Configuration | |
|----------------------------------------------------------------------------|--------------------------------------------------------------------------------------------------------------------------------------------------------------------------------------------------------------------------------------------------------------------------------------------------|
| Address Management Table | |
| Details | Enable/Disable the address management table feature to use in Multi-Client Mode (ON/OFF) . When ON is set, combination information of MAC address and IP address will be used from management tables (IPv4/IPv6) for connected non-wireless devices. |
| Range | ON / OFF |
| Default Value | OFF |
| Note | Only unicast address is supported for MAC address and IP address. BR-330AC-LP checks the existence of device information to save at 5 sec interval. If BR-330AC-LP is turned off before the saving process is completed, the device information is not saved in the address management table. |
| Management Table (for IPv4) | |
| Details | Register combination of MAC address and IP address (IPv4). |
| Range | Up to 16 sets of MAC address and IP address (IPv4) |
| Default Value | MAC address 00:00:00:00:00:00 IP address 0.0.0.0 |
| Management Table (for IPv6) | |
| Details | Register combination of MAC address and IP address (IPv6). |
| Range | Up to 16 sets of MAC address and IP address (IPv6) |
| Default Value | MAC address 00:00:00:00:00:00 IP address :: |

Advanced - Advanced Configuration - Service Management Configuration

HTTPS

| | |
|---------------|----------------------------------------------------------------------------------------------------------------------------------------------------|
| Details | Enable/Disable accessing the Web page using HTTPS protocol. If this function is enabled, HTTP communications are encrypted to enhance security. |
| Range | ENABLE/DISABLE |
| Default Value | ENABLE |
| Note | If this setting is disabled, the Web page of BR-330AC-LP cannot be accessed unless Configuration Mode is used. |

HTTPS Port Number

| | |
|---------------|-------------------------------------------------------------------------------------------------------------------------------------------------------------------------------------------------|
| Details | Set the port number to use for HTTPS protocol. To access BR-330AC-LP via HTTPS after the default value is changed, use the format " https://BR-330AC-LP's IP address: this setting ". |
| Range | 1-65535 |
| Default Value | 443 |

AMC Manager

| | |
|---------------|----------------------------------------------------------|
| Details | Enable/Disable accessing BR-330AC-LP using AMC Manager®. |
| Range | ENABLE/DISABLE |
| Default Value | ENABLE |

Kitting Tool

| | |
|---------------|----------------------------------------------------------|
| Details | Enable/Disable accessing BR-330AC-LP using Kitting Tool. |
| Range | ENABLE/DISABLE |
| Default Value | ENABLE |

Advanced - Advanced Configuration - Wired LAN Configuration

Link Speed

| | |
|---------------|--------------------------------------------------------------------------------------------------------------------------------------------------|
| Details | Sets the link speed for the wired network. Usually, " AUTO " is used. |
| Range | AUTO / 10BASE-T-Half / 10BASE-T-Full / 100BASE-TX-Half / 100BASE-TX-Full |
| Default Value | AUTO |
| Note | If a LINK LED on the connected device does not light on when BR-330AC-LP is powered on, change the network type to that of the connected device. |

Advanced - Advanced Configuration - Wireless LAN Configuration

Roaming Threshold

| | |
|---------------|---------------------------------------------------------------------------------------------------------------------------------------------------------|
| Details | Set the roaming threshold value (1 to 60). If a greater value is set, frequency of roaming is increased, however, communication may become unstable. |
| Range | 1 to 60 |
| Default Value | 15 |
| Note | A time of roaming may take longer depending on the combination with other settings of BR-330AC-LP. |

Login Password - Password Configuration

Please input the password.

| | |
|---------------|-----------------------------------------------------------------------------------------------------------------------------------------------------------|
| Details | Configure the password to manage the BR-330AC-LP. This password is used for authentication to login to the Web configuration interface of BR-330AC-LP. |
| Range | 1 - 32 characters |
| Default Value | (None) |

Server Certificate - Server Certificate Config - Server Certificate Create
Common Name

| | |
|---------------|------------------------------------------------------------------------------------------------|
| Details | Set a name of BR-330AC-LP. |
| Range | 1 to 64 characters |
| Default Value | BR330ACLP-xxxxxxx (xxxxxxx is the last 6 digits of the MAC address, and letters are uppercase) |

Organizational Unit Name

| | |
|---------------|-----------------------------------|
| Details | Enter the organization unit name. |
| Range | Up to 64 characters |
| Default Value | (None) |

Organization Name

| | |
|---------------|------------------------------|
| Details | Enter the organization name. |
| Range | Up to 64 characters |
| Default Value | (None) |

Locality Name

| | |
|---------------|-------------------------------|
| Details | Enter the locality/city name. |
| Range | Up to 128 characters |
| Default Value | (None) |

State or Province Name

| | |
|---------------|--------------------------------|
| Details | Enter the state/province name. |
| Range | Up to 128 characters |
| Default Value | (None) |

Country/Region code

| | |
|---------------|----------------------------------------------------------------------|
| Details | Enter the code (two characters) representing your country or region. |
| Range | 2 characters |
| Default Value | US |

A-2. Troubleshooting

This section provides the solutions for possible troubles you may experience when you are installing or using the BR-330AC-LP.

My wireless router is not displayed in the Wireless Network List of the Web configuration interface.

The wireless router may not be active.

| | |
|----------|---------------------------------------------------------------|
| Solution | Please check that the wireless router is operating correctly. |
|----------|---------------------------------------------------------------|

The wireless router may be operating in a stealth mode.

| | |
|----------|--------------------------------------------------------------------------------------------------------------------------------------------------------------------------------------------------------------------------------------------------------------|
| Solution | Configure the detailed settings of the wireless network at Detailed Configuration of the Web configuration interface to connect to the wireless router. Remember that wireless routers operating in a stealth mode will not be displayed in the list. |
|----------|--------------------------------------------------------------------------------------------------------------------------------------------------------------------------------------------------------------------------------------------------------------|

Too many wireless devices may be operating, exceeding the maximum number of devices the BR-330AC-LP can show on (up to 32 devices).

| | |
|----------|------------------------------------------------------------------------------------------------------------------------------------------------------------------------------------------------------------------------------------------------------------------------|
| Solution | Up to 32 wireless devices can be displayed at Wireless Network List . Even when the wireless router is not displayed in the list, it can be connected by configuring the wireless settings at Detailed Configuration of the Web configuration interface. |
|----------|------------------------------------------------------------------------------------------------------------------------------------------------------------------------------------------------------------------------------------------------------------------------|

I failed to connect to a wireless network using Smart Wireless Setup.

The WPS feature may be disabled on the wireless router.

| | |
|----------|------------------------------------------------------------------------------------------------------------------------------------------------------------------------------------------------------------------------------|
| Solution | Check that the wireless router supports the WPS feature. Depending on the wireless router, you may need to manually enable the WPS feature. For details, see the operating manual that came with your wireless router. |
|----------|------------------------------------------------------------------------------------------------------------------------------------------------------------------------------------------------------------------------------|

The password configuration may not be completed on BR-330AC-LP.

| | |
|----------|--------------------------------------------------------------------------------------------------------------------------------------------------------------------------------------|
| Solution | To use the Smart Wireless Setup function (Push Switch), a password must be set to BR-330AC-LP. For details, refer to 4-1. Starting Configuration Mode for Password Settings . |
|----------|--------------------------------------------------------------------------------------------------------------------------------------------------------------------------------------|

A LAN port error has occurred (POWER LED: Blinking rapidly, WLAN LED: OFF, STATUS LED: ON).

The bridge feature may be aborted as the non-wireless device is unplugged and changed to the other device on the LAN port.

| | |
|----------|-------------------------------------------------------------------------------------------------------------------------------------------------------------------------------------------------------------------------------------------------------------------------------------------------------------------------------------------------------------------------------------------------------------------------------------------------------------------------------------------|
| Solution | Restart the BR-330AC-LP. In Single Client Mode , if the non-wireless device is unplugged and changed to the other device, BR-330AC-LP will abort bridging of that device, taking such occurrence as an error. Also, when the MAC address filtering is used to restrict the devices to bridge, you will need to change the setting registered to Network Device Address . This error does not occur in Multi-Client Mode . The restart is not required then. |
|----------|-------------------------------------------------------------------------------------------------------------------------------------------------------------------------------------------------------------------------------------------------------------------------------------------------------------------------------------------------------------------------------------------------------------------------------------------------------------------------------------------|

Several devices may have been connected to the BR-330AC-LP using a HUB, though it is operating in **Single Client Mode**.

| | |
|----------|-----------------------------------------------------------------------------------------------------------------------------------------------|
| Solution | In Single Client Mode , connect only one device to the LAN port of BR-330AC-LP. To use several devices, use Multi-Client Mode . |
|----------|-----------------------------------------------------------------------------------------------------------------------------------------------|

I cannot communicate with the non-wireless device connected to BR-330AC-LP.

The BR-330AC-LP or non-wireless device may not be operating correctly.

| | |
|----------|--------------------------------------------------------------------------------------------------------------------|
| Solution | Please check the LED status on BR-330AC-LP. Please also check that the non-wireless device is properly powered on. |
|----------|--------------------------------------------------------------------------------------------------------------------|

The connection may be restricted by the MAC address filtering on BR-330AC-LP.

| | |
|----------|-----------------------------------------------------------------------------------------------------------------------------------------------|
| Solution | See the setting at Network Device Address to check that access of the connected device is not restricted by the MAC address filtering. |
|----------|-----------------------------------------------------------------------------------------------------------------------------------------------|

16 or more non-wireless devices may be connected when BR-330AC-LP is operating in **Multi-Client Mode**.

| | |
|----------|---------------------------------------------------------------------------------------------------------------------------------------------------------------------------------|
| Solution | Check how many non-wireless devices are connected to BR-330AC-LP. Up to 16 non-wireless devices can be connected when BR-330AC-LP is operating in Multi-Client Mode . |
|----------|---------------------------------------------------------------------------------------------------------------------------------------------------------------------------------|

16 sets of combination information may be registered to the management table.

| | |
|----------|----------------------------------------------------------------------------------------------------------------------------------------------------------------------------------------------------------------------------------------------------------------------------------------------------------------|
| Solution | When BR-330AC-LP is operating in Multi-Client Mode and the address management table feature is enabled, up to 16 sets of combination information are automatically registered to the management table. As they are not deleted automatically after registered, please manually delete unnecessary ones. |
|----------|----------------------------------------------------------------------------------------------------------------------------------------------------------------------------------------------------------------------------------------------------------------------------------------------------------------|

The wireless router may be filtering the devices by MAC addresses.

| | |
|----------|-----------------------------------------------------------------------------------------------------------------------------------------------------------------------------------------------------------------------------------------------------------------------------------------------------------------|
| Solution | <p>Check that the wireless router does not filter the following MAC addresses:</p> <p>Single Client Mode: MAC address of non-wireless device</p> <p>Multi-Client Mode: MAC address of BR-330AC-LP</p> <p>The MAC address of BR-330AC-LP can be found on the product label or on the Web page.</p> |
|----------|-----------------------------------------------------------------------------------------------------------------------------------------------------------------------------------------------------------------------------------------------------------------------------------------------------------------|

The wireless router may have a function equivalent to Proxy ARP and it is turned on.

| | |
|----------|--------------------------------------------------------------------------------------------------------------------------------------------------------------------------------------------------------------------------------------------------------------------------------------------------------------------------------------------------------------------------------------|
| Solution | <p>Check the Proxy ARP function setting of the wireless router.</p> <p>If the function is enabled, change the setting.</p> <p>However, if Single Client Mode is turned on and the IP Intercept function of BR-330AC-LP is enabled, it does not need to be changed.</p> <p>For details, refer to 5-5. Communicating with a Wireless Router with Proxy ARP Function.</p> |
|----------|--------------------------------------------------------------------------------------------------------------------------------------------------------------------------------------------------------------------------------------------------------------------------------------------------------------------------------------------------------------------------------------|

The imported IEEE802.1X certificate cannot be deleted.

It is impossible to delete the imported certificate only.

| | |
|----------|----------------------------------------------------------------------------------------------------------------------------------------------------------------------------------------------------------------------------------------------------------------------------------------------------------------------------------------------|
| Solution | <p>To delete the imported certificate, initialize the BR-330AC-LP.</p> <p>NOTE:</p> <p>The imported certificate is validated only when it is used.</p> <p>Even if you keep the certificate, it has no impact on the authentication process since the imported certificate is used only with the compatible authentication method.</p> |
|----------|----------------------------------------------------------------------------------------------------------------------------------------------------------------------------------------------------------------------------------------------------------------------------------------------------------------------------------------------|

I cannot connect to BR-330AC-LP in Ad hoc mode.

BR-330AC-LP does not support Ad hoc mode.

| | |
|----------|---------------------------------------|
| Solution | Only Infrastructure mode can be used. |
|----------|---------------------------------------|

A-3. What's AMC Manager®?

AMC Manager® is an integrated device management software that can monitor and configure the Silex products remotely over an IP network. If AMC Manager® is used, the operating status of BR-330AC-LP units can be checked in a list view.

For AMC Manager®, there are a free version and non-free version. If the non-free version of AMC Manager® is purchased, the plug-in utility "BR Kitting Utility" can be used to configure multiple BR-330AC-LP units at once.



- Download and use the latest version of AMC Manager®.



Note

- To use AMC Manager (non-free version), a license key needs to be purchased. Please contact Silex Technology to purchase a license key.

- For details on the "AMC Manager®", please visit our website.

- To use the "AMC Manager®", an IP address needs to be configured to the BR-330AC-LP.

These utilities can be downloaded from the Silex Technology's website.

Access the URL below to download it.

<https://www.silextechnology.com/>

A-4. Security Information

Access Control Mechanism

The following shows the access control method and encryption mode for the product information.

Web Page

| Information | Access Control Method | Encryption Mode |
|--------------------------------------|----------------------------------------------------------|------------------------------------------|
| Network settings (Network assets) | Accesses are controlled using an administrator password. | Communications are encrypted using HTTPS |
| Network settings (Network assets) | Accesses are controlled using an administrator password. | Communications are encrypted using HTTPS |

AMC Manager/BR Kitting Utility

| Information | Access Control Method | Encryption Mode |
|--------------------------------------|----------------------------------------------------------|-------------------------------------------------------|
| Network settings (Network assets) | Accesses are controlled using an administrator password. | Communications are encrypted using a unique algorithm |
| Network settings (Network assets) | Accesses are controlled using an administrator password. | Communications are encrypted using a unique algorithm |

FLDP/BR

| Information | Access Control Method | Encryption Mode |
|--------------------------------------|-----------------------------------------------------------------------|-----------------|
| Network settings (Network assets) | Accesses are allowed only from the devices on the same wired network. | No encryption |
| Network settings (Network assets) | Accesses are allowed only from the devices on the same wired network. | No encryption |

Key Information

Wireless Communication - Key Information

| Encryption Algorithm | Key Length |
|----------------------|---------------|
| WEP | 64bit, 128bit |
| TKIP | 128bit |
| AES | 128bit |

Client Certificate / CA Certificate - Key Information

| Encryption Algorithm | Key Length |
|----------------------|-----------------------------------|
| RSA | 512bit, 1024bit, 2048bit, 4096bit |

Known Vulnerabilities

The BR-330AC-LP has the following known vulnerabilities:

- Vulnerabilities that cannot be exploited in the specific conditions of the equipment
There are no such vulnerabilities.
- Vulnerabilities that have been mitigated to an acceptable residual risk
There are no such vulnerabilities.
- Vulnerabilities that have been accepted on a risk basis
 - The wireless client function of BR-330AC-LP supports insecure encryption modes such as WEP and TKIP.
 - The wireless client function of BR-330AC-LP supports insecure TLS versions such as 'TLSv1.0' and 'TLSv1.1'.
 - The wireless client function of BR-330AC-LP supports one of the IEEE 802.1X authentication methods 'EAP-FAST' that uses the insecure TLS version 'TLSv1.0'.
 - The wireless LAN client function of BR-330AC-LP supports the use of certificates with a short public key length (e.g. 512bit, 1024bit) for IEEE 802.1X authentication. However, communication using such certificates is not secure.
 - Communications of FLDP/BR are not encrypted.

Blank page